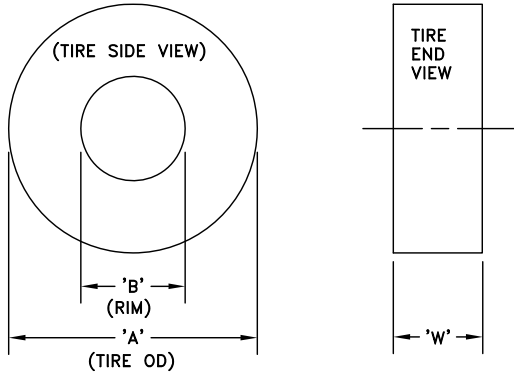


# MOHAWK MP-18 SERIES DATA SHEET:

## TIRE DIMENSIONS

ENTER DIMENSION FOR LARGEST AND SMALLEST TIRES:

	DIM. 'A'	DIM. 'B'	DIM. 'W'	TIRE SIZE
LARGEST				
SMALLEST				



1. SELECT LIFT MODEL BELOW:

MODEL NAME	LIFT CAP (LBS)	FORK LENGTH ON POST							
		1	2	3	4	5	6	7	8
MP-18-005	36,000	15"	15"						
MP-18-013	32,000	22"	22"						
MP-18-006	72,000	15"	15"	15"	15"				
MP-18-030	68,000	15"	15"	22"	22"				
MP-18-014	64,000	22"	22"	22"	22"				
MP-18-007	108,000	15"	15"	15"	15"	15"	15"		
MP-18-058	104,000	15"	15"	15"	15"	22"	22"		
MP-18-059	100,000	15"	15"	22"	22"	22"	22"		
MP-18-015	96,000	22"	22"	22"	22"	22"	22"		
MP-18-008	144,000	15"	15"	15"	15"	15"	15"	15"	15"
MP-18-060	140,000	15"	15"	15"	15"	15"	15"	22"	22"
MP-18-061	136,000	15"	15"	15"	15"	22"	22"	22"	22"
MP-18-062	132,000	15"	15"	22"	22"	22"	22"	22"	22"
MP-18-016	128,000	22"	22"	22"	22"	22"	22"	22"	22"

### MP-18 SERIES POST SPECIFICATIONS:

CAPACITY: 18,000 LB PER POST (15" FORKS)  
16,000 LB PER POST (22" FORKS)

STROKE: 67 INCHES

LIFTING SPEED: 67 SECONDS

POWER REQUIRED: 208-240 VAC, 3Ø STD

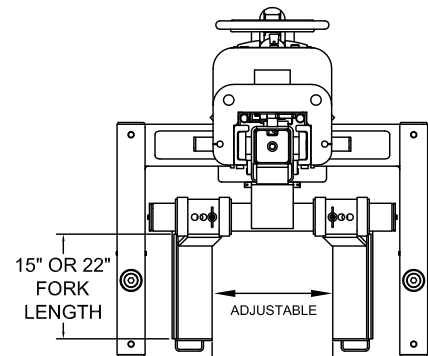
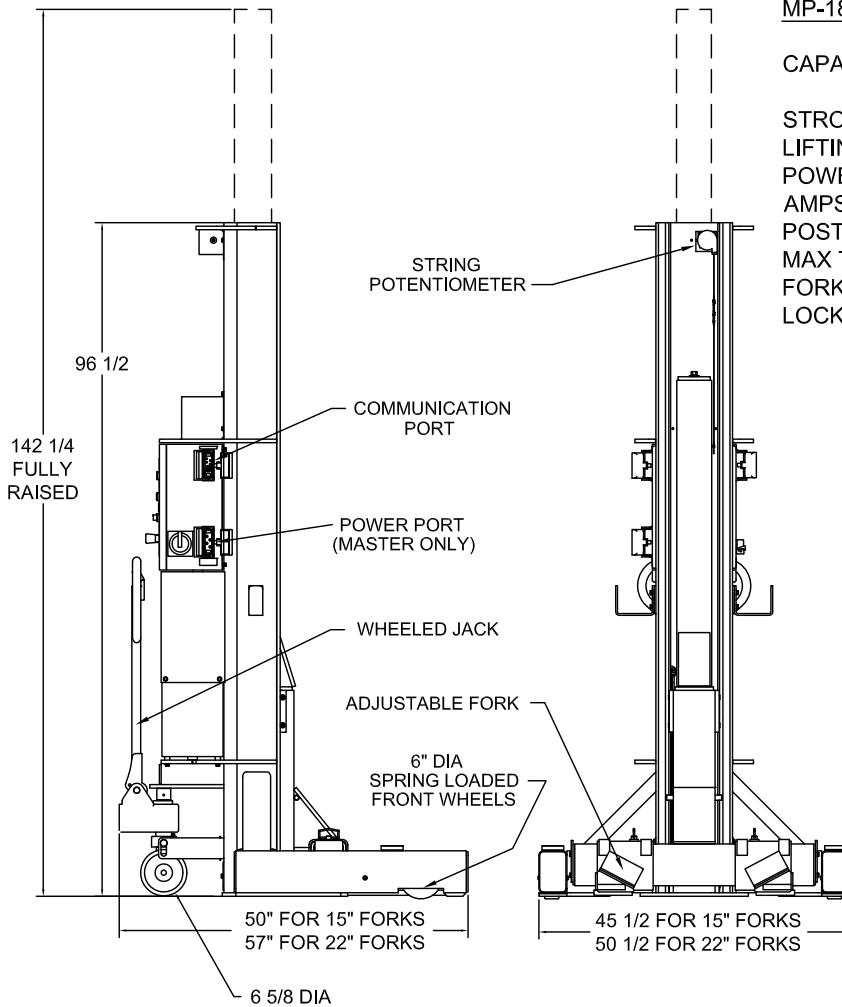
AMPS: VARIABLE - SEE POST QTY

POST QUANTITY: 2, 4, 6 OR 8

MAX TIRE SIZE: 48 INCH DIA


FORK LENGTH: 15 INCH OR 22 INCH

LOCK POSITIONS: 3" INTERVALS STARTING @ 12"



FOR 15" FORKS:  
11 1/2 MIN  
24 1/4 MAX

FOR 22" FORKS:  
9 3/4 MIN  
27 1/2 MAX

REV.	DESCRIPTION	DATE	BY	APP'D.
	QUESTION 10 ADDED	3/11	G.GORE	
CUSTOMER NAME:				
CONTACT:				
PHONE NUMBER:				

1. WHAT DOES THE HEAVIEST VEHICLE WEIGH:

LBS

2. WHAT DOES THE HEAVIER END OF THE VEHICLE WEIGH?  
(I.E., FORK LIFT COUNTERWEIGHTS, REAR END MOUNTED ENGINES)

LBS

3. VERIFY POWER SUPPLY BELOW:  
POWER SUPPLY: (CHECK ONE)

POWER SUPPLY:	FULL LOAD AMPS PER POST *
208-240 VAC, 3 PHASE, 60 HZ	10 AMP PER POST ← STANDARD
440-480 VAC, 3 PHASE, 60 HZ	5 AMP PER POST
550-600 VAC, 3 PHASE, 60 HZ	4 AMP PER POST
208-240 VAC, 1 PHASE, 60 HZ	10 AMP PER POST
OTHER:	

\* RECOMMENDED CIRCUIT BREAKER SIZE IS 1.5 TO 2 TIMES THE SUM OF THE FULL LOAD AMPS FOR ALL THE POSTS IN THE SYSTEM.

4. OPTIONS INCLUDES: (CHECK ALL THAT APPLY) - (SEE NOTE\*)

<input type="checkbox"/>	#MJS-1830-18, JACK STAND, 18,000 LB, 18" TO 30"
<input type="checkbox"/>	#MJS-3047-18, JACK STAND, 18,000 LB, 30" TO 47"
<input type="checkbox"/>	#MJS-4775-18, JACK STAND, 18,000 LB, 47" TO 75"
<input type="checkbox"/>	#MJS-1830-24, JACK STAND, 24,000 LB, 18" TO 30"
<input type="checkbox"/>	#MJS-3047-24, JACK STAND, 24,000 LB, 30" TO 47"
<input type="checkbox"/>	#MJS-4775-24, JACK STAND, 24,000 LB, 47" TO 75"
<input type="checkbox"/>	#TD-1000-M, TIRE DOLLY, 1000 LB CAPACITY, HAND WINCH
<input type="checkbox"/>	#TD-1000-H, TIRE DOLLY, 1000 LB CAPACITY, FOOT PUMP
<input type="checkbox"/>	#TD-1000-A, TIRE DOLLY, 1000 LB CAPACITY, AIR/HYD
<input type="checkbox"/>	CHASSIS CONTACT LIFTING BEAM (FOR 2 POSTS)
<input type="checkbox"/>	FORK TRUCK ADAPTER KIT (FOR 2 POSTS)
<input type="checkbox"/>	AUTO FRAME CONTACT ADAPTER KIT (FOR 2 POSTS)
<input type="checkbox"/>	WING PLOW ADAPTERS (FOR 2 POSTS)
<input type="checkbox"/>	HMMVV (FRONT TO REAR) ADAPTERS (FOR 2 POSTS)
<input type="checkbox"/>	ADDITIONAL POWER CABLE (ONE STANDARD 25' LG CABLE INCLUDED PER LIFT)
<input type="checkbox"/>	LONGER POWER CABLE ___' (ONE STANDARD 25' LG CABLE INCLUDED PER LIFT)
<input type="checkbox"/>	ADDITIONAL COMMUNICATION CABLE (ONE SET OF 30' LG CABLES INCLUDED PER LIFT)
<input type="checkbox"/>	LONGER COMMUNICATION CABLE ___' LG X ___ QTY
<input type="checkbox"/>	ADDITIONAL DUMMY PLUG SET (ONLY ONE SET INCLUDED PER LIFT)
<input type="checkbox"/>	HAND PENDANT CONTROL WITH 25' CORD (NON-ALCTV)
<input type="checkbox"/>	HAND PENDANT CONTROL (CL 1, DIV 2) WITH 25' CORD (ALCTV CERTIFIED)
<input type="checkbox"/>	WEIGHT GAUGE (SPECIFY NUMBER OF COLUMNS)
<input type="checkbox"/>	OTHER:

\* NOTE: SOME OPTIONS ARE NOT COMPATIBLE, CONSULT MOHAWK.

5. PROPOSED/REQUESTED DELIVERY DATE: \_\_\_/\_\_\_/\_\_\_

6. IS THIS FOR A CONSTRUCTION PROJECT:  YES  NO  
IF NO, CAN THE LIFT SHIP AT ANYTIME?  YES  NO  
IF YES, WHEN SHOULD MOHAWK VERIFY PRODUCTION TIME?

DATE: \_\_\_/\_\_\_/\_\_\_

CONTACT: \_\_\_\_\_

TEL: \_\_\_\_\_

7. THIS DRAWING HAS BEEN REVIEWED AND FOUND TO BE ACCEPTABLE TO ALL CUSTOMER'S SPECIFICATIONS INDICATED:

\_\_\_\_\_  
MOHAWK REPRESENTATIVE DATE

\_\_\_\_\_  
OWNER, GENERAL CONTRACTOR AND/OR ARCHITECT. DATE

8. FINAL ELECTRICAL CONNECTION TO LOCAL/NATIONAL CODE IS THE RESPONSIBILITY OF THE ELECTRICAL CONTRACTOR. MORE THAN ONE POINT OF CONNECTION MAY BE REQUIRED. DISCONNECT SWITCHES, MAIN FUSES, AND MAIN POWER LEADS, ETC, ARE NOT PROVIDED BY MOHAWK RESOURCES LTD.

9. AFTER ALL SPECIFICATIONS HAVE BEEN SELECTED AND APPROVED BY CUSTOMER (SIGNED), MAKE COPY FOR CUSTOMER AND RETURN SIGNED FORM TO MOHAWK AT ADDRESS OR FAX BELOW.

10. ARE THESE COLUMNS BEING ADDED TO AN EXISTING SET OF MOBILE COLUMNS ?

YES \_\_\_ NO \_\_\_

IF YES, PLEASE LIST MODEL NUMBERS AND SERIAL NUMBERS

MODEL #	SERIAL #



MOHAWK RESOURCES LTD.  
65 VROOMAN AVENUE  
P.O. BOX 110  
AMSTERDAM, NY 12010  
PHN: 1-800-833-2006  
FAX: 1-518-842-1289  
www.mohawklifts.com

MOHAWK MP-18-SERIES

FOR SO#: \_\_\_\_\_

SCALE n/a	DRAWN RV	MOHAWK RESOURCES LTD.		
CHECKED	APPROVED	TITLE MP-18 Series Data Verification		
DATE 11/05	WEIGHT n/a LB.	FROM n/a	DRAWING NUMBER ZZ958-01	