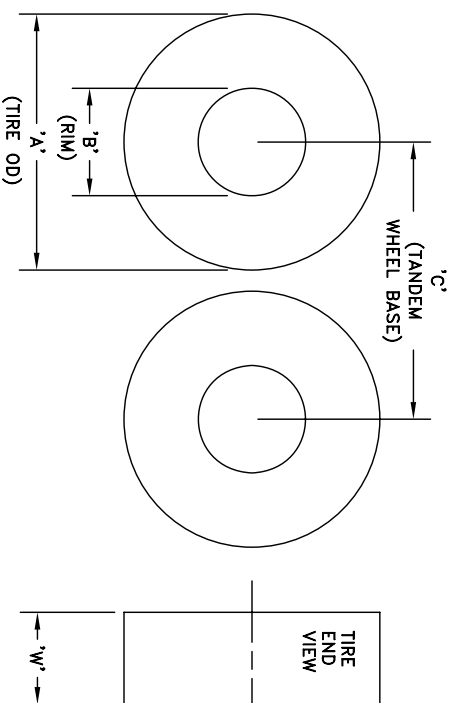


MOHAWK MP-18 TANDEM DATA SHEET:

TIRE DIMENSIONS

ENTER DIMENSION FOR LARGEST AND SMALLEST TIRES:

DIM. 'A'	DIM. 'B'	DIM. 'C'	DIM. 'W'	TIRE SIZE
LARGEST				
SMALLEST				

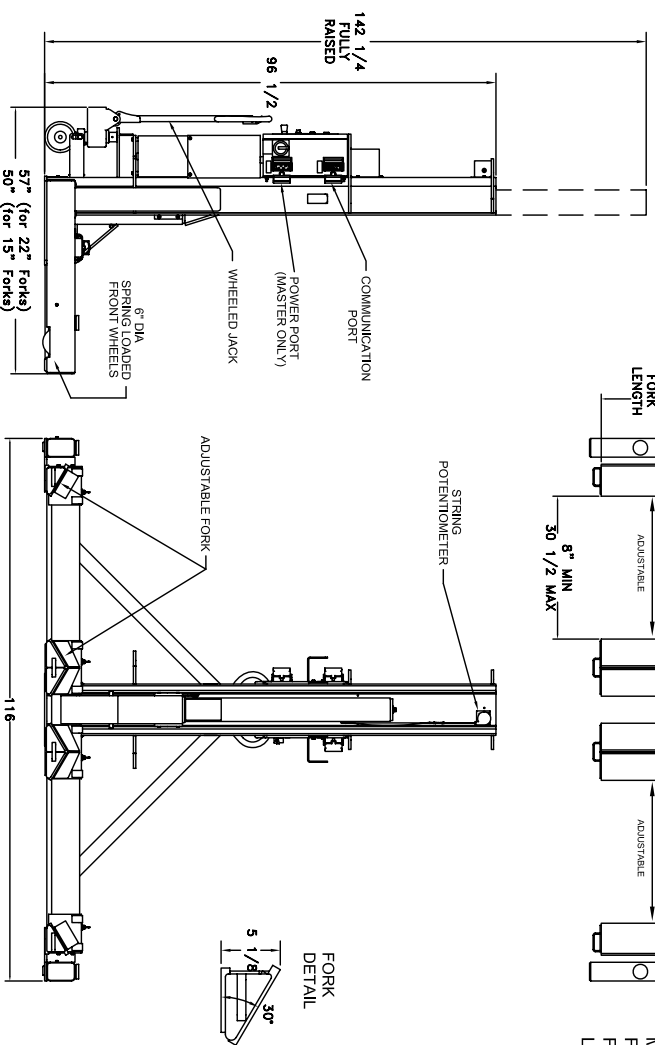


1. SELECT LIFT MODEL BELOW:

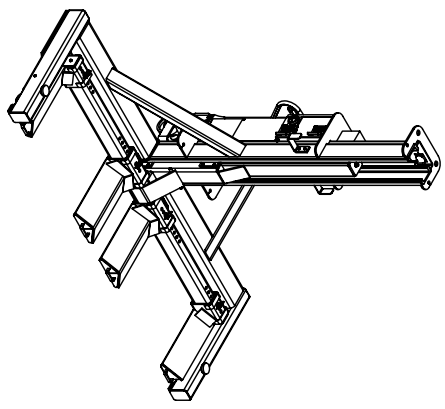
FORK LENGTH ON POST (15" OR 22")	POST CAPACITY (15"=18K, 22"=16K)	TANDEM POST? (YES OR NO)	POST NUMBER															
			1	2	3	4	5	6	7	8								

FOLD OR CUT HERE FOR FAXING

MP-18 TANDEM (shown with 22" FORKS)



MP-18 TANDEM POST SPECIFICATIONS:
 CAPACITY: 18,000 LB EACH (with 15" Forks)
 CAPACITY: 16,000 LB EACH (with 22" Forks)
 STROKE: 67 INCHES
 LIFTING SPEED: 67 SECONDS
 POWER REQUIRED: 208-220 VAC, 3Ø STD
 AMPS: VARIABLE - SEE POST QTY
 POST QUANTITY: 2, 4, 6 OR 8
 MAX TIRE SIZE: 53 INCH DIA
 FORK LENGTH: 15 OR 22 INCH
 FORK WIDTH: 8 INCH MIN, 30 1/2 MAX
 LOCK POSITIONS: 3" INTERVALS STARTING @ 12"



FOLD OR CUT HERE FOR FAXING

REV.	DESCRIPTION	DATE	BY	APP'D.
A	POWER & COMM CABLE LENGTH OPTION ADDED	10/06	R.V.	

CUSTOMER NAME:

CONTACT:

PHONE NUMBER:

REVISIONS:

DATE:

BY:

APP'D.:

DESCRIPTION:

DATE:

BY:

APP'D.:

DESCRIPTION:

DATE:

BY:

APP'D.:

DESCRIPTION:

DATE:

BY:

APP'D.:

DESCRIPTION:

DATE:

BY:

APP'D.:

DESCRIPTION:

DATE:

BY:

APP'D.:

DESCRIPTION:

DATE:

BY:

APP'D.:

DESCRIPTION:

DATE:

BY:

APP'D.:

DESCRIPTION:

DATE:

BY:

APP'D.:

DESCRIPTION:

DATE:

BY:

APP'D.:

DESCRIPTION:

DATE:

BY:

APP'D.:

DESCRIPTION:

DATE:

BY:

APP'D.:

DESCRIPTION:

DATE:

BY:

APP'D.:

DESCRIPTION:

DATE:

BY:

APP'D.:

DESCRIPTION:

DATE:

BY:

APP'D.:

DESCRIPTION:

DATE:

BY:

APP'D.:

DESCRIPTION:

DATE:

BY:

APP'D.:

DESCRIPTION:

DATE:

BY:

APP'D.:

DESCRIPTION:

DATE:

BY:

APP'D.:

DESCRIPTION:

DATE:

BY:

APP'D.:

DESCRIPTION:

DATE:

BY:

APP'D.:

DESCRIPTION:

DATE:

BY:

APP'D.:

DESCRIPTION:

DATE:

3. DO VEHICLES HAVE LARGE DIAMETER TIRES REQUIRING WIDER FORKS?
 (CHECK ONE)
 NO, USE STANDARD WIDTH FORKS → STANDARD
 YES, USE _____" WIDER FORKS

4. OPTIONS INCLUDES: (CHECK ALL THAT APPLY) - (SEE NOTE*)
 #MJS-1830-18, JACK STAND, 18,000 LB, 18" TO 30"
 #MJS-3047-18, JACK STAND, 18,000 LB, 30" TO 47"
 #MJS-4775-18, JACK STAND, 18,000 LB, 47" TO 75"
 #MJS-1830-24, JACK STAND, 24,000 LB, 18" TO 30"
 #MJS-3047-24, JACK STAND, 24,000 LB, 30" TO 47"
 #MJS-4775-24, JACK STAND, 24,000 LB, 47" TO 75"
 #TD-1000-M, TIRE DOLLY, 1000 LB CAPACITY, HAND WINCH
 #TD-1000-H, TIRE DOLLY, 1000 LB CAPACITY, FOOT PUMP
 #TD-1000-A, TIRE DOLLY, 1000 LB CAPACITY, AIR/HYD
 CHASSIS CONTACT LIFTING BEAM (FOR 2 POSTS) - NOT TANDEM
 FORK TRUCK ADAPTER KIT (FOR 2 POSTS) - NOT TANDEM
 AUTO FRAME CONTACT ADAPTER KIT (FOR 2 POSTS) - NOT TANDEM
 WING PLOW ADAPTERS (FOR 2 POSTS) - NOT TANDEM
 HMMWV (FRONT TO REAR) ADAPTERS (FOR 2 POSTS) - NOT TANDEM
 ADDITIONAL POWER CABLE (ONE STANDARD 25' LG CABLE INCLUDED PER LIFT)
 LONGER POWER CABLE _____ (ONE STANDARD 25' LG CABLE INCLUDED PER LIFT)
 ADDITIONAL COMMUNICATION CABLE (ONE SET OF 30' LG CABLES INCLUDED PER LIFT)
 LONGER COMMUNICATION CABLE _____ LG X _____ QTY
 ADDITIONAL DUMMY PLUG SET (ONLY ONE SET INCLUDED PER LIFT)
 HAND PENDANT CONTROL WITH 25' CORD
 OTHER:


5. PROPOSED/REQUESTED DELIVERY DATE: ___/___/___

6. IS THIS FOR A CONSTRUCTION PROJECT? YES NO
 IF NO, CAN THE LIFT SHIP AT ANYTIME? YES NO
 IF YES, WHEN SHOULD MOHAWK VERIFY PRODUCTION TIME?
 DATE: ___/___/___
 CONTACT: _____
 TEL: _____

7. THIS DRAWING HAS BEEN REVIEWED AND FOUND TO BE ACCEPTABLE TO ALL CUSTOMER'S SPECIFICATIONS INDICATED:
 MOHAWK REPRESENTATIVE _____ DATE _____
 OWNER, GENERAL CONTRACTOR AND/OR ARCHITECT _____ DATE _____

8. FINAL ELECTRICAL CONNECTION TO LOCAL/NATIONAL CODE IS THE RESPONSIBILITY OF THE ELECTRICAL CONTRACTOR. MORE THAN ONE POINT OF CONNECTION MAY BE REQUIRED. DISCONNECT SWITCHES, MAIN FUSES, AND MAIN POWER LEADS, ETC, ARE NOT PROVIDED BY MOHAWK RESOURCES LTD.

9. AFTER ALL SPECIFICATIONS HAVE BEEN SELECTED AND APPROVED BY CUSTOMER (SIGNED), MAKE COPY FOR CUSTOMER AND RETURN SIGNED FORM TO MOHAWK AT ADDRESS OR FAX BELOW.



MOHAWK RESOURCES LTD.
 65 VROOMAN AVENUE
 P.O. BOX 110
 AMSTERDAM, NY 12010
 PHN: 1-800-833-2006
 FAX: 1-518-842-1289
 www.mohawklifts.com

MOHAWK MP-18-TANDEM

FOR SO#: _____

SCALE n/a	DRAWN RV	TITLE MP-18 Series Data Verification	DRAWING NUMBER ZZ958-02
CHECKED	APPROVED	DATE 11/05	WEIGHT n/a

* NOTE: SOME OPTIONS ARE NOT COMPATIBLE, CONSULT MOHAWK.