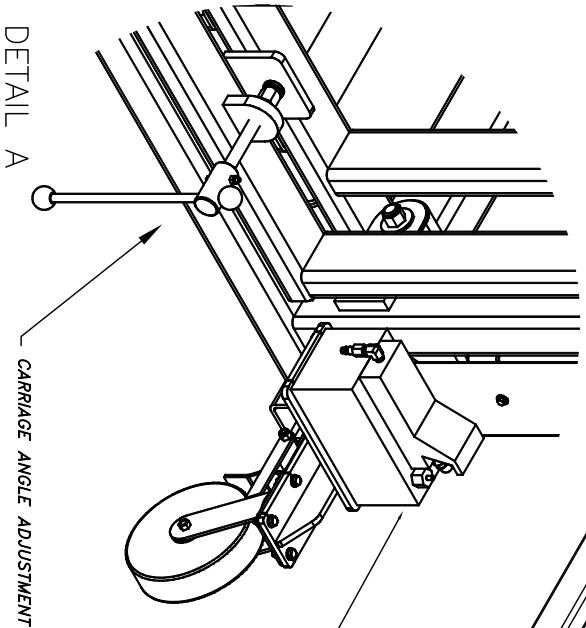
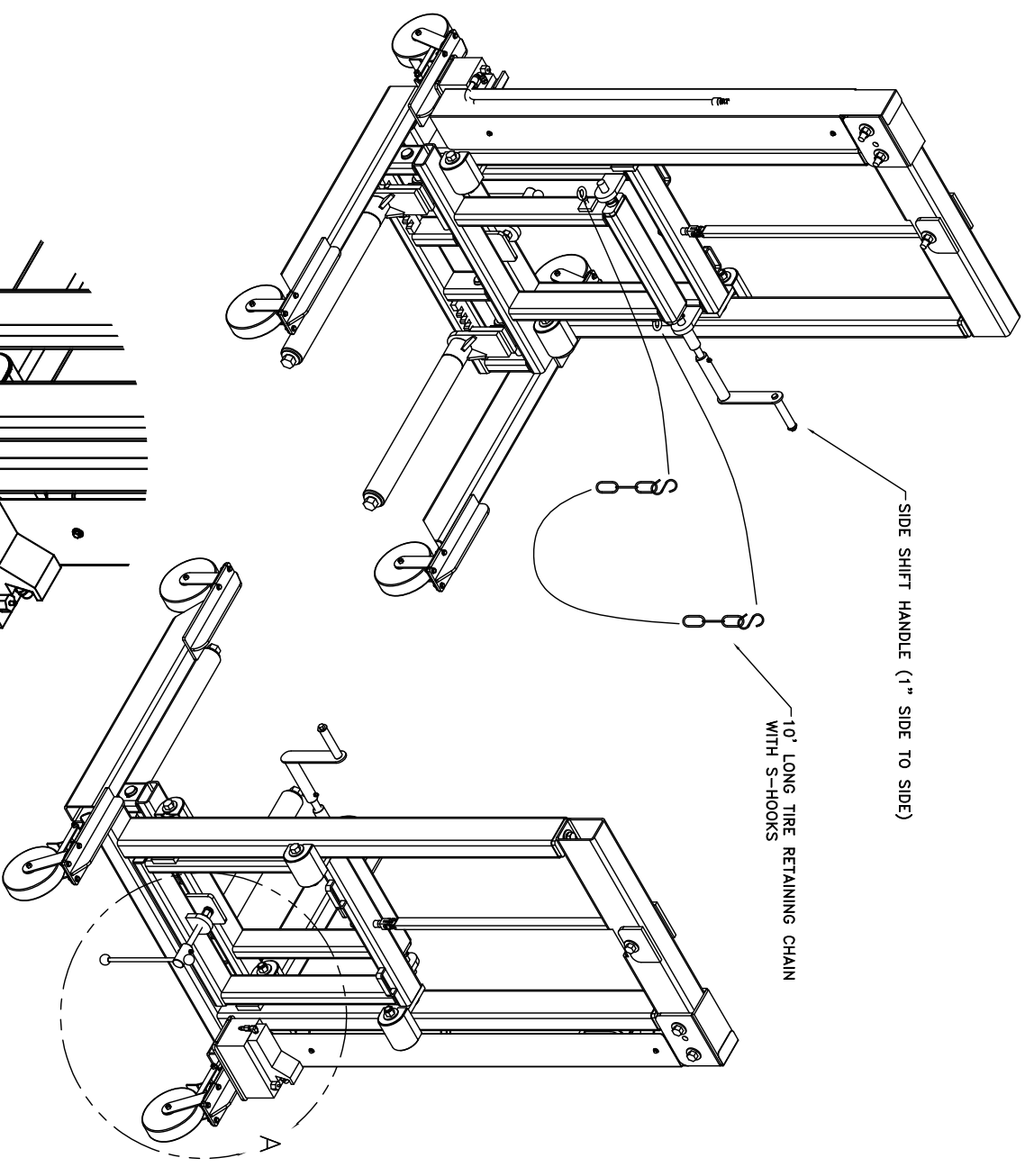
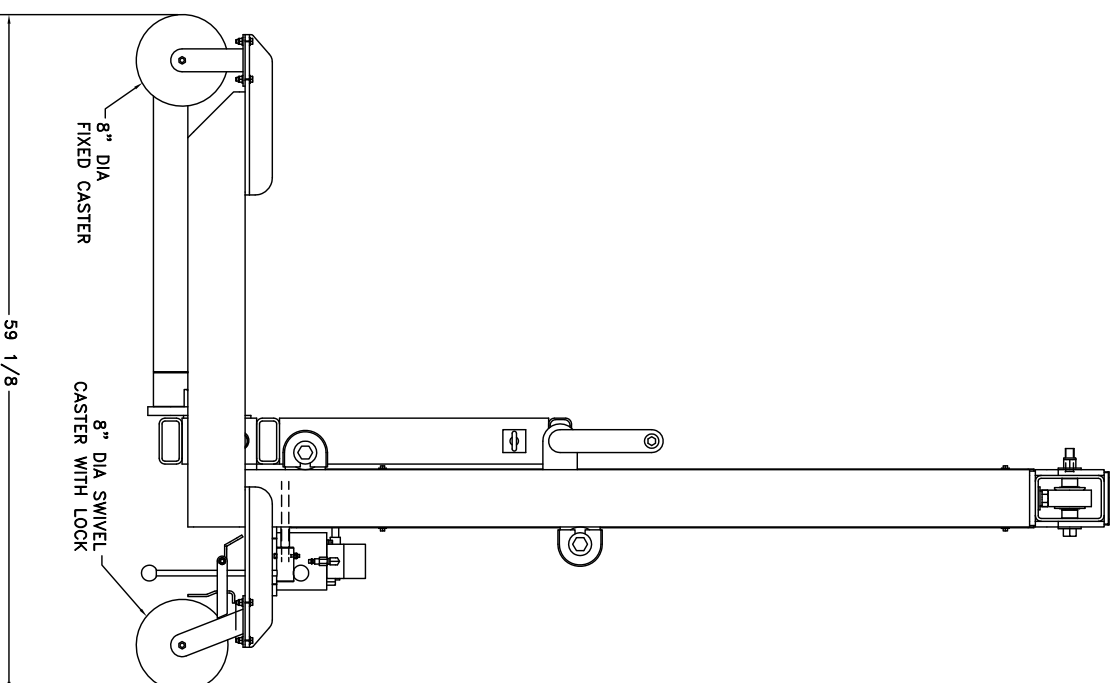
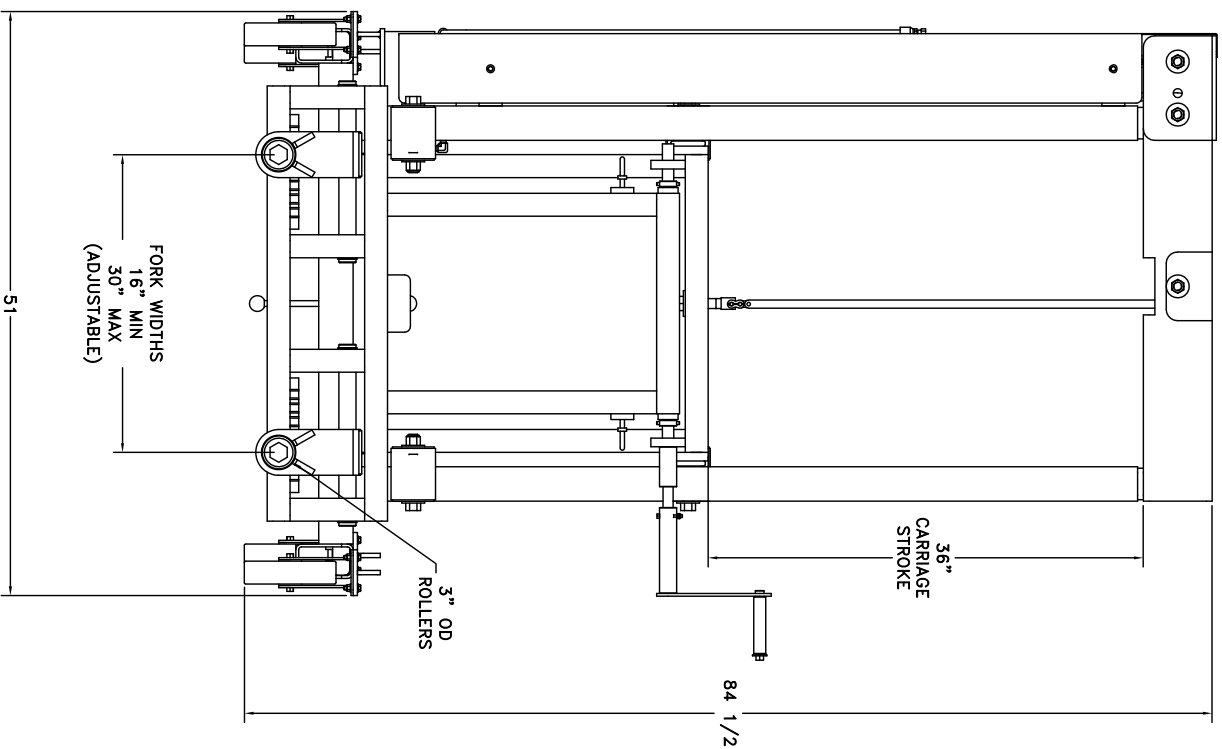


TD-2000-AH SPECIFICATIONS:
 CAPACITY: 2,000 LBS
 WEIGHT (EMPTY): 900 LBS
 STROKE: 36 INCH
 TIRE DIA: 53" DIA MAX
 LIFT SPEED: 60 SEC APPROX
 AIR REQUIRED: 80 PSI MIN
 * NOTE: LIFT SPEED DEPENDANT
 ON AIR SUPPLY TO LIFT.



AIR/HYDRAULIC POWER UNIT
 WITH FOOT PEDAL TO RAISE
 AND LOWER

DETAIL A

NOTICE OF CONFIDENTIAL INFORMATION
 INFORMATION CONTAINED HEREIN IS CONFIDENTIAL AND PROPERTY OF
 MOHAWK RESOURCES LTD. WHERE DRAWING IS FURNISHED TO OTHERS
 FOR REVIEW OR FOR ANY OTHER PURPOSES, THE INFORMATION SHALL NOT BE USED OR DISCLOSED
 BY THE RECIPIENT FOR ANY OTHER PURPOSES WHATSOEVER.

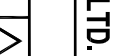
NOTES:
 1. REMOVE ALL SHARP CORNERS & EDGES.
 2. UNLESS OTHERWISE SPECIFIED, SURFACE
 FINISH TO BE 125 RMS.
 3. WELDING MEDIUM SHALL CONFORM TO AWS
 SPECIFICATIONS TO E-70XX ELECTRODES OR
 E-7011 CODE S3 FLUX CORE WIRE DMLY.

TOLERANCES:
 ANGULAR ± 1°
 FRACTIONAL ± .030
 DECIMAL ± .005
 DXXX ± .005

SCALE 1/8
 CHECKED
 DATE 7/06

DRAWN ddk
 APPROVED
 WEIGHT 895 LB

TITLE TD-2000-AH SPECIFICATION DRAWING
 FROM N/A
 DRAWING NUMBER TD-000-A-002



D-SIZE