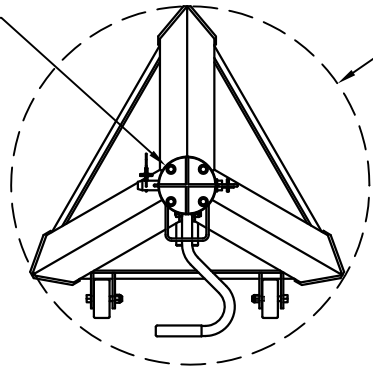


6" DIA
TOP PAD



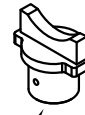
37 1/4 DIA [.95]
FLOOR SPACE

Conforms to
ASME
PASE-2014

STANDARD
RUBBER PAD
(QUICK PIN
REMOVABLE)

2 1/2" DIA
ACME THREAD
ROD

TUBE HANDLE



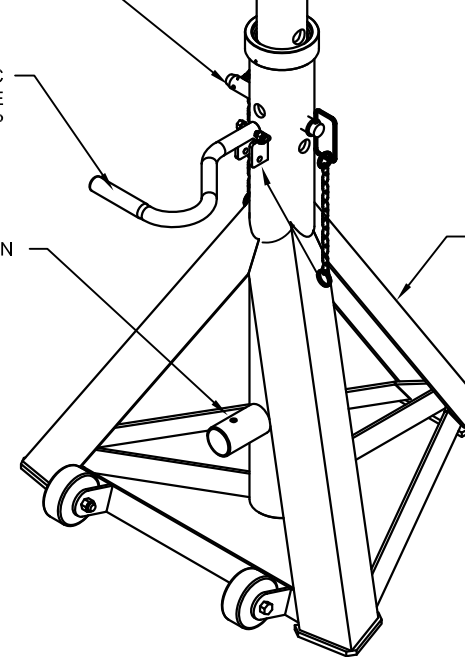
YOKE PAD *
(OPTIONAL
ACCESSORY)

1" DIA HITCH PIN

ERGONOMIC
HANDLE
WITH GRIP

* STORAGE FOR OPTION
YOKE PAD

4" x 4" x 1/4 THK
SUPPORT ANGLES



7" THREAD
ADJUSTMENT

3 1/2 OD x 2 3/4 ID
CENTER TUBE

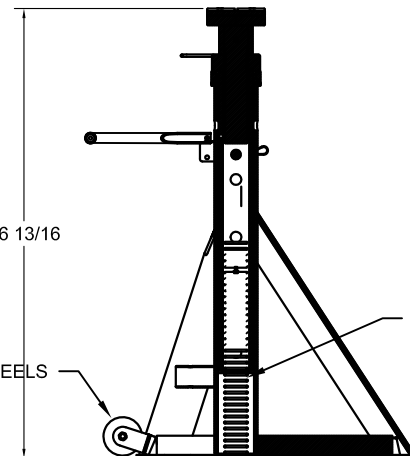
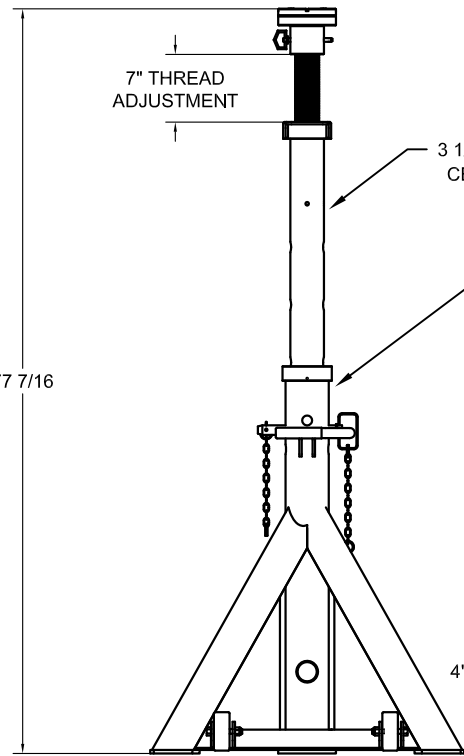
4 1/2 OD x 3 3/4 ID
BASE TUBE

77 7/16

46 13/16

4" DIA WHEELS

SPRING
ASSISTED
EXTENSION



MOHAWK JACK STAND
MODEL #JS-4775-20
CAPACITY: 20,000 LB

C-SIZE

NOTICE OF CONFIDENTIAL INFORMATION

INFORMATION CONTAINED HEREIN IS CONFIDENTIAL AND PROPERTY OF MOHAWK RESOURCES LTD.. WHERE DRAWING IS FURNISHED TO OTHERS IT SHALL BE USED SOLELY FOR PURPOSES OF INSPECTION, INSTALLATION, OR MAINTENANCE. THE INFORMATION SHALL NOT BE USED OR DISCLOSED BY THE RECIPIENT FOR ANY OTHER PURPOSES WHATSOEVER.

NOTES:

1. REMOVE ALL SHARP CORNERS & EDGES.
2. UNLESS OTHERWISE SPECIFIED, SURFACE FINISH TO BE 125 RMS.
3. WELDING MEDIUM SHALL CONFORM TO AWS SPECIFICATIONS TO E-70XX ELECTRODES OR E-70TI CODE 5.3 FLUX CORE WIRE ONLY.

TOLERANCES:

ANGULAR ± 1°
FRACTIONAL ± .030
DECIMAL:
0.XX ± .030
0.XXX ± .005

FILE NAME
JS-000-A-SPEC12

JS-000-A-014

NEXT ASSEMBLY

SCALE
1/10

CHECKED

DATE
9/2016

DRAWN
rww7089

APPROVED

WEIGHT
218 LB.

MOHAWK RESOURCES LTD.

TITLE Jack Stand (PASE VERSION)
JS-4775-20

FRDM
N/A

DRAWING NUMBER
JS-000-A-SPEC12

