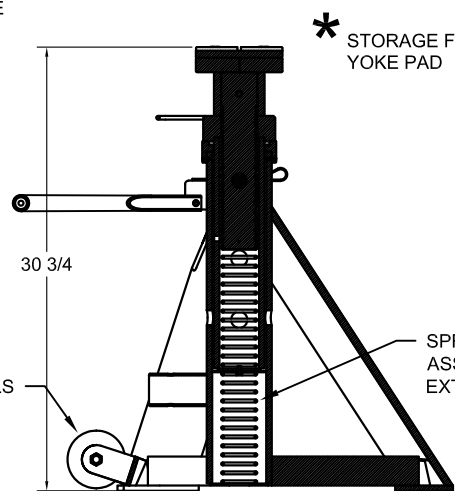
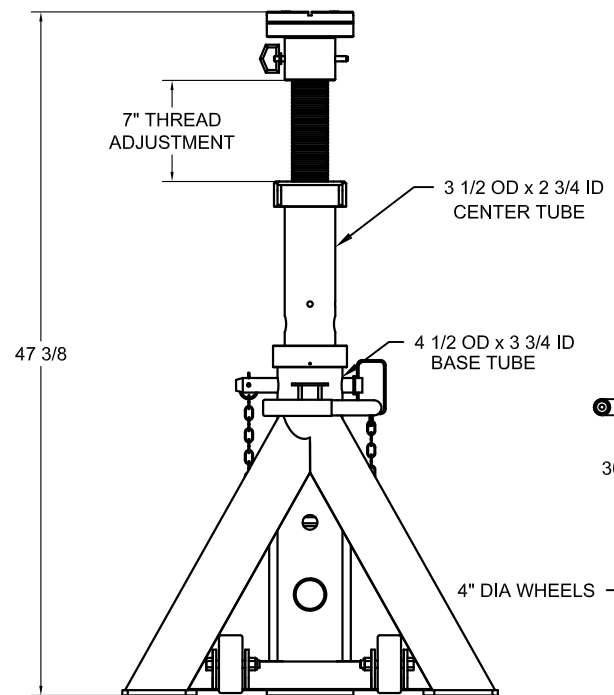
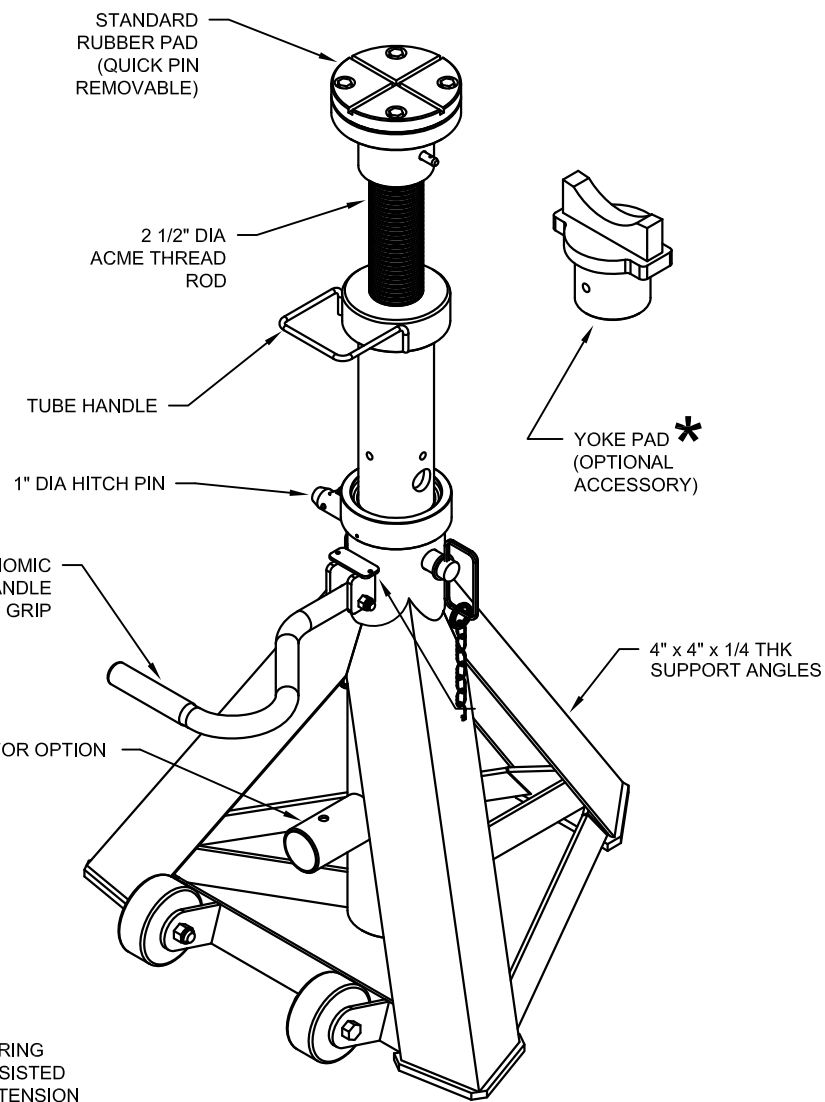


Conforms to ASME PASE-2014



MOHAWK JACK STAND
MODEL #JS-3047-40
CAPACITY: 40,000 LB

C-SIZE

NOTICE OF CONFIDENTIAL INFORMATION

INFORMATION CONTAINED HEREIN IS CONFIDENTIAL AND PROPERTY OF MOHAWK RESOURCES LTD., WHERE DRAWING IS FURNISHED TO OTHERS IT SHALL BE USED SOLELY FOR PURPOSES OF INSPECTION, INSTALLATION, OR MAINTENANCE. THE INFORMATION SHALL NOT BE USED OR DISCLOSED BY THE RECIPIENT FOR ANY OTHER PURPOSES WHATSOEVER.

NOTES:

1. REMOVE ALL SHARP CORNERS & EDGES.
2. UNLESS OTHERWISE SPECIFIED, SURFACE FINISH TO BE 125 RMS.
3. WELDING MEDIUM SHALL CONFORM TO AWS SPECIFICATIONS TO E-70XX ELECTRODES OR E-70TI CODE 5.3 FLUX CORE WIRE ONLY.

TOLERANCES:
ANGULAR ± 1°
FRACTIONAL ± .030
DECIMAL:
0.XX ± .030
0.XXX ± .005

FILE NAME
JS-000-A-SPEC15

JS-000-A-017

NEXT ASSEMBLY

SCALE
1/10

CHECKED

DATE
9/2016

DRAWN
rww7089

APPROVED

WEIGHT
183 LB.

MOHAWK RESOURCES LTD.

TITLE Jack Stand (PASE VERSION)
JS-3047-40

FRDM
N/A

DRAWING NUMBER
JS-000-A-SPEC15

