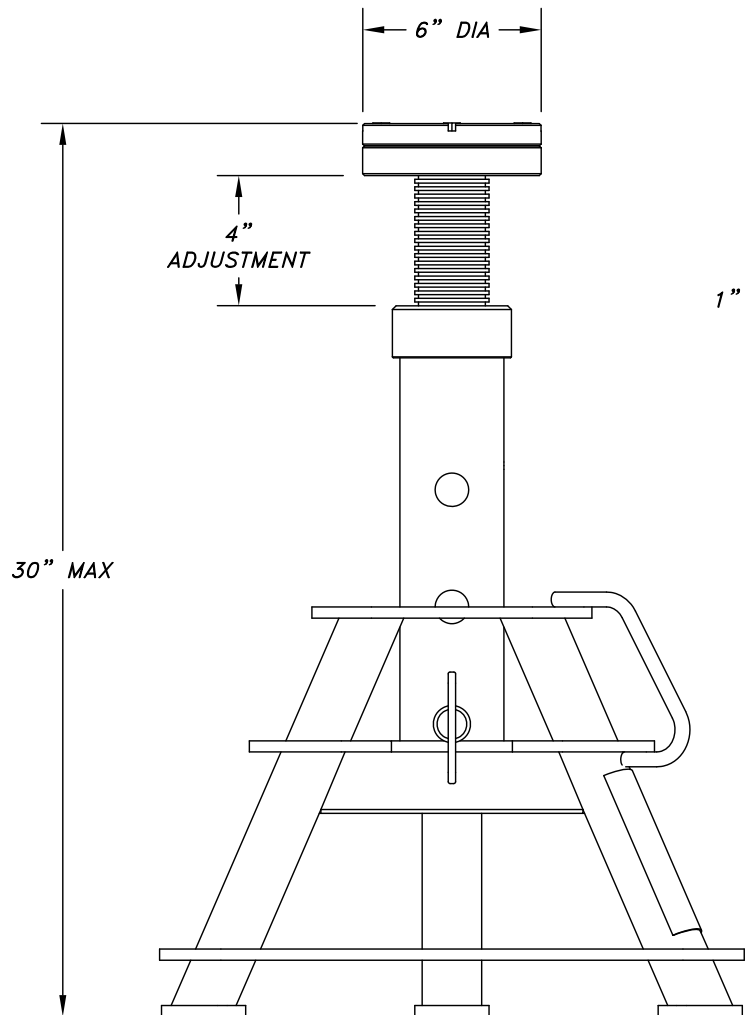


STANDARD RUBBER PAD

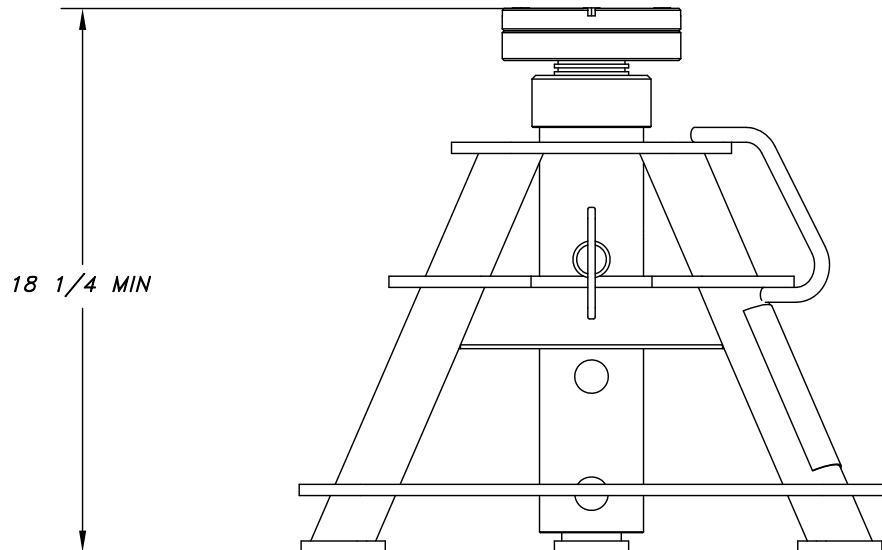
2 1/2" DIA ACME THREAD ROD

YOKE PAD *
(OPTIONAL ACCESSORY)



1" HITCH PIN

LIFTING HANDLE



MOHAWK JACK STAND
MODEL #JS-1830-18
CAPACITY: 18,000 LBS

C-SIZE

<p>NOTICE OF CONFIDENTIAL INFORMATION</p> <p>INFORMATION CONTAINED HEREIN IS CONFIDENTIAL AND PROPERTY OF MOHAWK RESOURCES LTD.. WHERE DRAWING IS FURNISHED TO OTHERS IT SHALL BE USED SOLELY FOR PURPOSES OF INSPECTION, INSTALLATION, OR MAINTENANCE. THE INFORMATION SHALL NOT BE USED OR DISCLOSED BY THE RECIPIENT FOR ANY OTHER PURPOSES WHATSOEVER.</p>	<p>NOTES:</p> <ol style="list-style-type: none"> REMOVE ALL SHARP CORNERS & EDGES. UNLESS OTHERWISE SPECIFIED, SURFACE FINISH TO BE 125 RMS. WELDING MEDIUM SHALL CONFORM TO AWS SPECIFICATIONS TO E-70XX ELECTRODES OR E-70T1 CODE 5.3 FLUX CORE WIRE ONLY. 	<p>TOLERANCES:</p> <p>ANGULAR ± 1°</p> <p>FRACTIONAL ± .030</p> <p>DECIMAL:</p> <p>0.XX ± .030</p> <p>0.XXX ± .005</p>	SCALE	DRAWN	MOHAWK RESOURCES LTD.		
			1/4	dak	TITLE		
			CHECKED	APPROVED	JACK STAND, JS-1830-18		
			DATE	WEIGHT	FROM	DRAWING NUMBER	
3/09	83 L.B.		JS-000-A-SPEC5				
FILE NAME		NEXT ASSEMBLY					
JS-000-A-SPEC5							