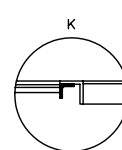
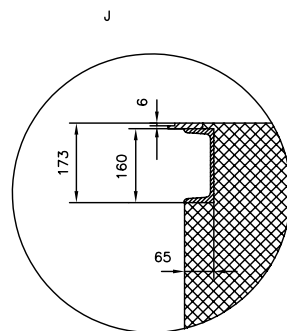
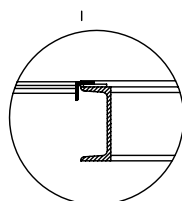
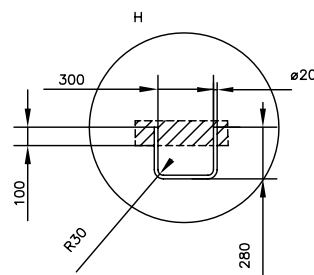
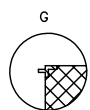
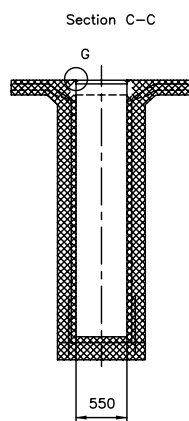
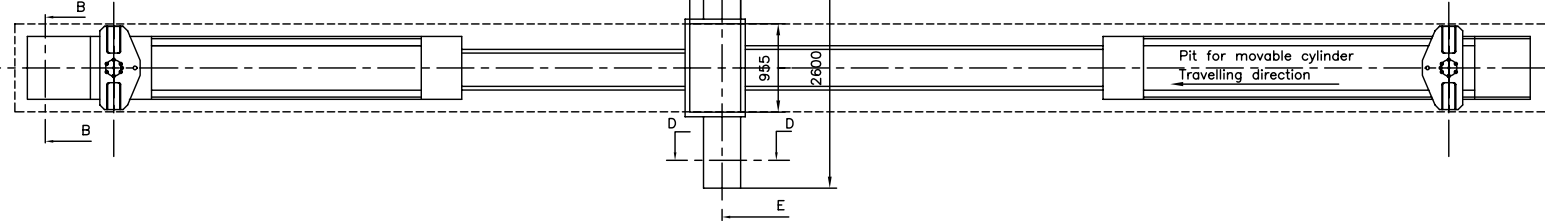
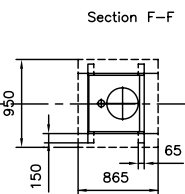
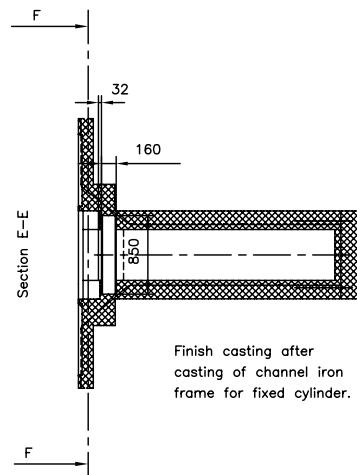
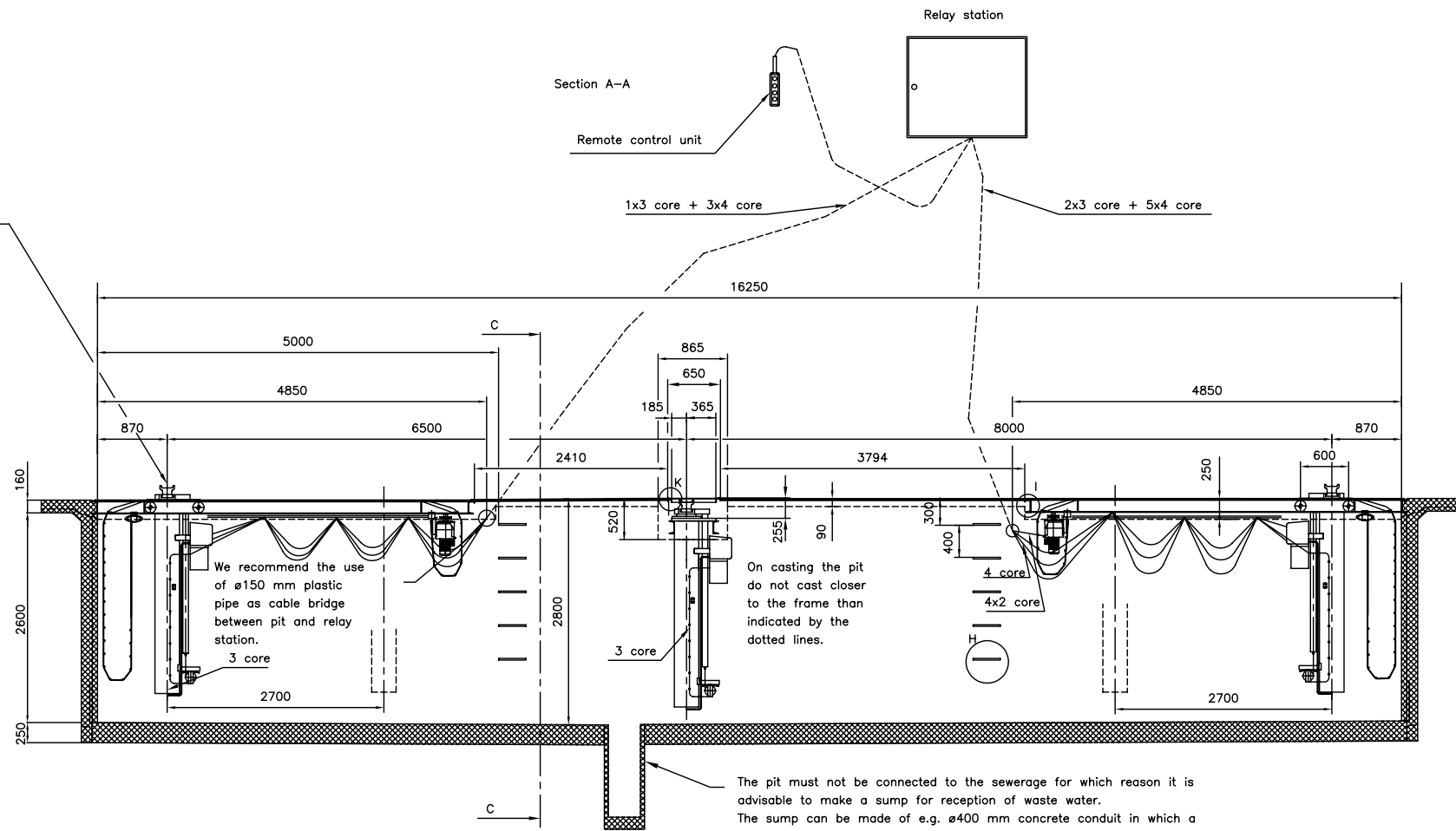
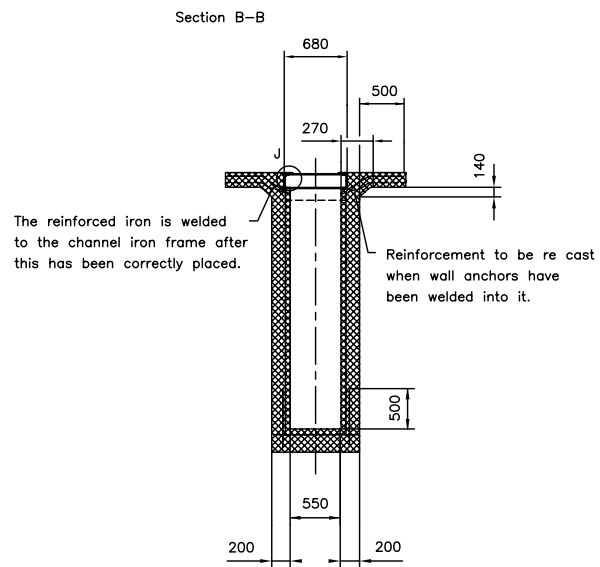


Load per cylinder		
	LU10	LU15
GB		
SF	12.8T	16.8T
B	10T	15T



Reinforcement: Tenor steel 52 (minimum tension : 520 NM/m<sup>2</sup>)  
Concrete:  $\sigma_{bk} \geq 25\text{MN/m}^2$ .

Control group: II  
All dimensions stated in mm.  
This drawing is for your guidance only.  
For all other types except for standard lifts the measurements must be corrected.

The responsibility for dimensioning foundation with reinforcement lies with the contractor in charge

The dimensioning should always make allowance for the relevant soil conditions on site and be in accordance with the local regulations.

Ändring	Sign.d.	Dato 1/7-91	Sign.GHA/GHA
255 påført	28-5-04 KBR		Concreting drawing 3-post all-purpose LU10/15 GB
		Skala	Nr.
		1:40	T73713



This drawing is not to be copied, printed or to be made otherwise available to any person without our specific permission.

Diese Zeichnung darf weder vervielfältigt, noch Dritten Personen ohne unsere Genehmigung mitgeteilt werden.

Denne tegning må ikke efterlignes, kopieres eller forevises tredjemand uden vor skriftlige tilladelse.