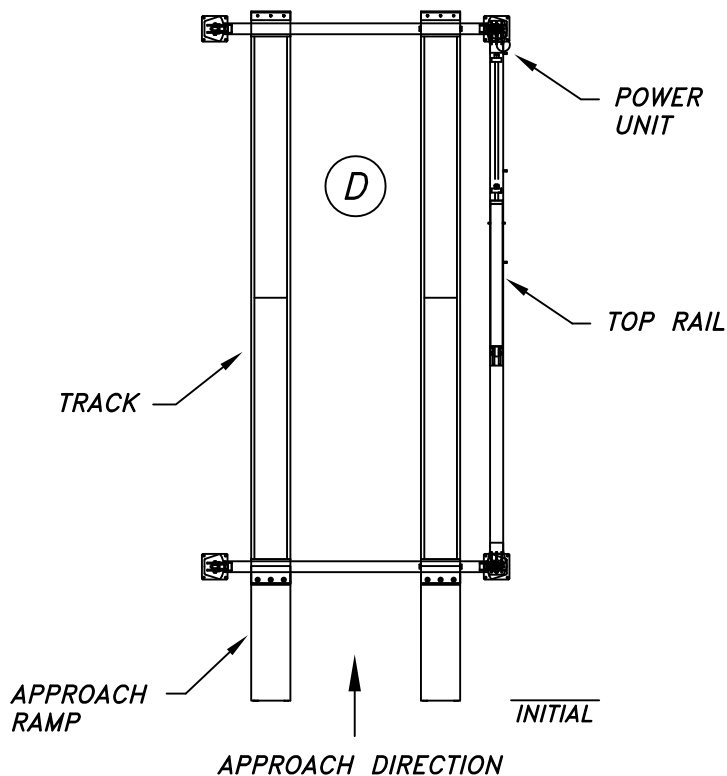
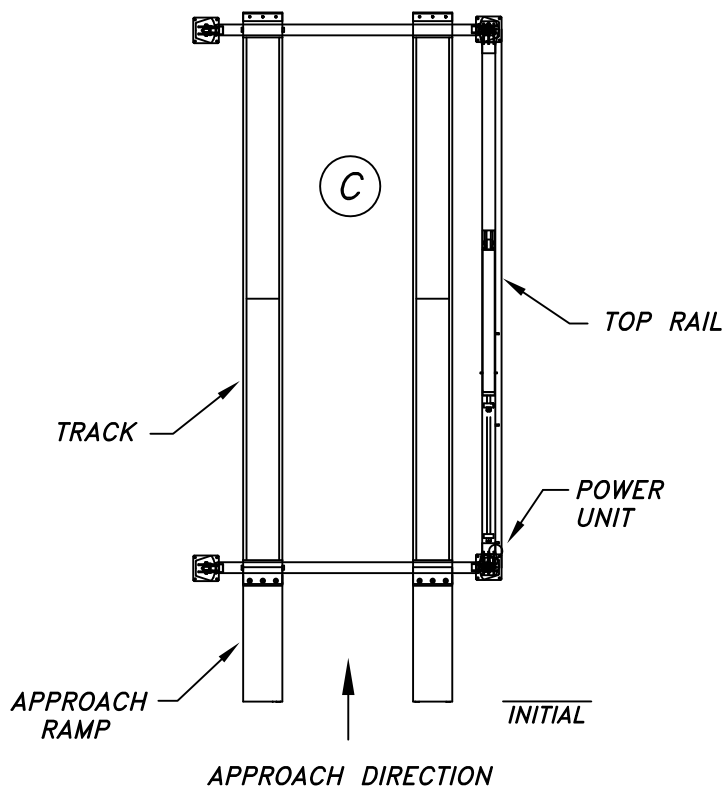
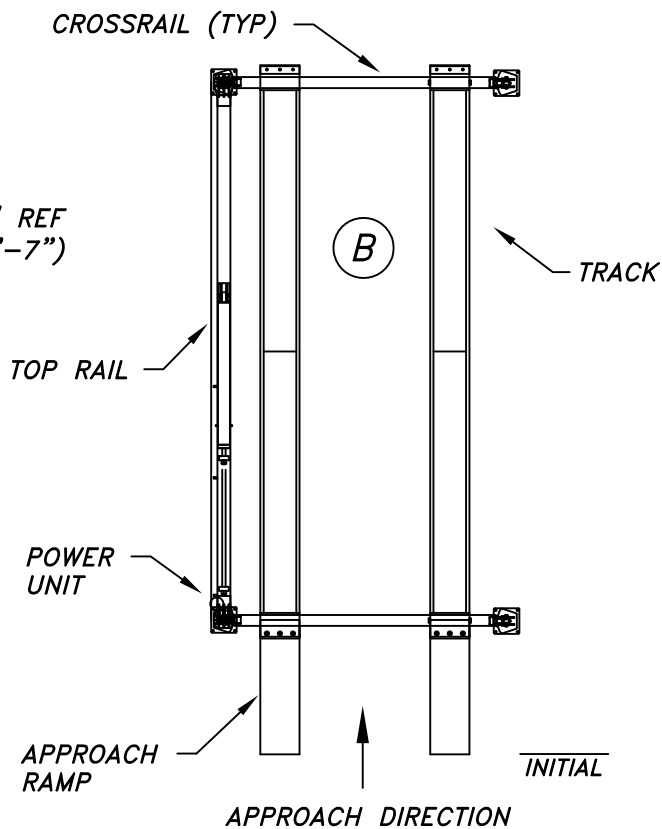
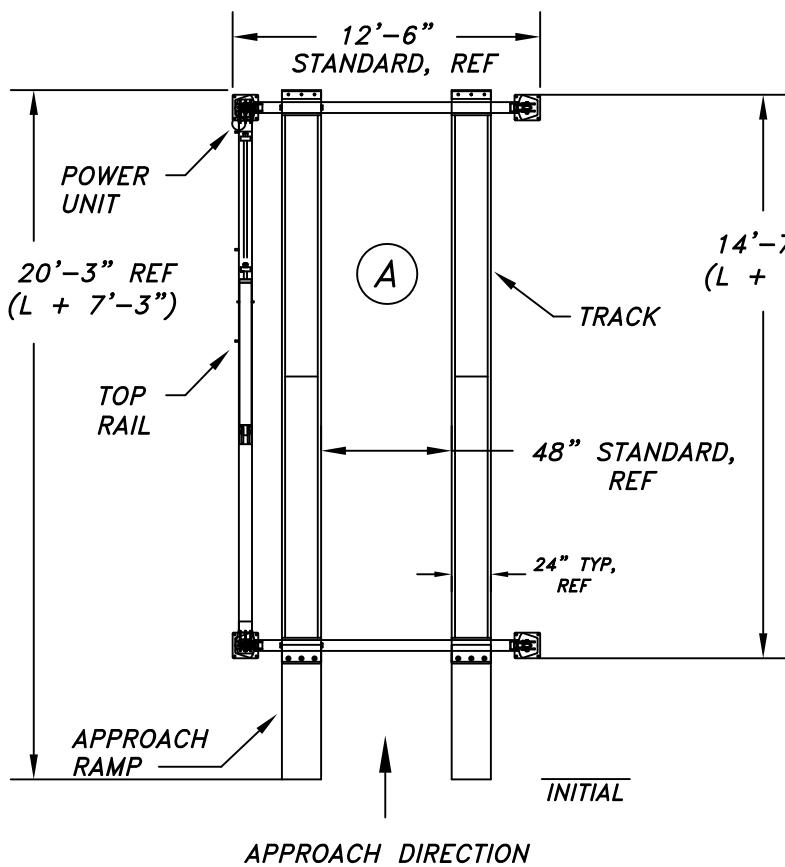


# FL-25 LIFT DATA SHEET:

## FL-25 LIFT ORIENTATIONS: 13' TRACKS SHOWN AS REFERENCE

FOLD OR CUT HERE



FOLD OR CUT HERE

INITIAL

- 1. INDICATE DESIRED LIFT ORIENTATION (CIRCLE ONE ONLY)  
A, B, C OR D. (NOTE: 'A' IS STANDARD)
- 2. VERIFY POWER SUPPLY BELOW:  
POWER SUPPLY: (CIRCLE ONE OF EACH)  
VOLTAGE PHASE CYCLE

208-220/230 VAC	1 PHASE	60 HZ	STANDARD
440-460/480 VAC	3 PHASE	50 HZ	
575 VAC			
OTHER			

- 3. TRACK LENGTH, L: (CIRCLE ONE)  
13' (STANDARD, MIN) OTHER (SPECIAL)  
\*ABOVE IS NOT TIP-TO-TIP LENGTH, SEE DIAGRAM FOR EXPLANATION OF LENGTH\*
- 4. APPROACH RAMP LENGTH: (CIRCLE ONE)  
5' STANDARD OTHER (SPECIAL)
- 5. CROSSRAIL OPTIONS: (CHECK ALL THAT APPLY)  
 STANDARD LENGTH W/ TRACKS SET AT 48" INSIDE (SEE NOTE 2)  
 SHORTER CROSSRAILS:  - 12"  - 24"  OTHER, - \_\_\_"  
 WITH TRACKS  CENTERED OR  OFFSET  
 WITH TRACKS SET AT \_\_\_" INSIDE. (SEE NOTE 3)
- 6. AVAILABLE OPTIONS (At Additional Cost): CHECK ALL THAT APPLY  
 RJ-25 ELECTRIC/HYDRAULIC JACKING BEAM (25,000 LB CAPACITY, 48" INSIDE TRACKS ONLY)  
 JP-25 ROLLING JACKING PLATFORM (25,000 LB CAPACITY, 48" INSIDE TRACKS ONLY)  
 JP-25\* ROLLING JACKING PLATFORM (25,000 LB CAPACITY, \_\_\_" SPECIAL INSIDE TRACKS)  
 RJ-15 ELECTRIC/HYDRAULIC JACKING BEAM (15,000 LB CAPACITY, 48" INSIDE TRACKS ONLY)  
 JP-15 ROLLING JACKING PLATFORM (15,000 LB CAPACITY, 48" INSIDE TRACKS ONLY)  
 JP-15\* ROLLING JACKING PLATFORM (15,000 LB CAPACITY, \_\_\_" SPECIAL INSIDE TRACKS)  
 DRIVE THRU RAMPS  
 LIGHTS IN TRACKS  
 THIRD WHEEL OPTION:  18" WIDE OR  24" WIDE (SEE NOTE 4) FOR \_\_\_" INSIDE TRACK DIM  
 OIL DRAIN PAN (48" INSIDE TRACKS ONLY)  
 EXTRA BASE PLATES FOR SHIMMING (1/2" THICK)  
 QTY: \_\_\_\_\_  
 \* COST \$115.00 LIST EA. = TOTAL OF \$\_\_\_\_\_  
 NOTE THAT THE USE OF THESE PLATES WILL REQUIRE LONGER ANCHOR BOLTS THAT NEED TO MEET MINIMUM EMBEDMENT DEPTH AND SPECIFICATIONS OF THE STANDARD ANCHOR BOLTS. THESE ARE NOT SUPPLIED WITH THIS LIFT.  
 120 VAC DUPLEX OUTLET AT POWER UNIT  
 DESCENT ALARM (3 PHASE POWER ONLY)  
 HAND HELD CONTROL & SOLENOID DOWN  
 KEYED SWITCH (3 PHASE POWER ONLY)  
 TD-1000 TIRE DOLLY  
 OTHER (SPECIAL): \_\_\_\_\_

- NOTES:
- 1. SOME OPTION COMBINATIONS ARE NOT AVAILABLE.
  - 2. FOR STANDARD CROSSRAILS, MAINSIDE TRACK IS FIXED AND OFFSIDE TRACK IS ADJUSTABLE IN FIELD. NOTE THAT TRACKS BECOME "FIXED" WHEN A RJ-25, JP-25, THIRD WHEEL OPTION, OR OIL DRAIN PAN IS USED.
  - 3. INSIDE TRACK DIMENSION IS DETERMINED BE FINDING THE MINIMUM INSIDE TIRE DIMENSION OF ALL VEHICLES TO BE RAISED WITH LIFT.
  - 4. THIRD WHEEL OPTION NEEDED ONLY WHEN LIFTING FORK TRUCKS WITH CENTER TIRES.
  - 7. FOR MODEL FL-25 (FORKLIFT MODEL), DIMENSIONAL DATA REQUIRED ON ALL CUSTOMER'S VEHICLES. CONSULT MOHAWK FOR VEHICLE DATA SHEETS & ENTER DATA COMPLETELY. OUR DETERMINATION IN SUITING YOUR LIFTING REQUIREMENTS IS ONLY AS ACCURATE AND COMPLETE AS THE DATA WE RECEIVE.
  - 8. CONCRETE FLOOR THICKNESS: \_\_\_\_\_ INCHES THICK.
  - 9. PROPOSED/REQUESTED DELIVERY DATE: \_ \_ \_

REV.	DESCRIPTION	DATE	BY	APP'D.
△ K	INITIALS REQUESTS ADDED	09/16	CHS	
CUSTOMER NAME:				
CONTACT:				
PHONE NUMBER:				

- 10. IS THIS FOR A CONSTRUCTION PROJECT:  YES  NO  
 IF NO, CAN THE LIFT SHIP AT ANYTIME?  YES  NO  
 IF YES, WHEN SHOULD MOHAWK VERIFY PRODUCTION TIME?  
 \_/ \_/ \_ , CONTACT: \_\_\_\_\_, TEL # \_\_\_\_\_

- 11. THIS DRAWING HAS BEEN REVIEWED AND FOUND TO BE ACCEPTABLE TO ALL CUSTOMER'S SPECIFICATIONS INDICATED.  
 MOHAWK REPRESENTATIVE \_\_\_\_\_ DATE \_\_\_\_\_  
 OWNER, GENERAL CONTRACTOR, FLEET MANAGER, CUSTOMER AND/OR ARCHITECT. (FULL SIGNATURE) \_\_\_\_\_ DATE \_\_\_\_\_

12. OVERALL BAY LENGTH

SLOPE IN FLOOR (LENGTHWISE)

OVERALL BAY WIDTH

SLOPE IN FLOOR (WIDTHWISE)

OVERALL BAY HEIGHT

OVERHEAD OBSTRUCTIONS, YES OR NO  
 IF YES, EXPLAIN \_\_\_\_\_

- 13. POWER AND AIR FEEDS:  
 A: FINAL ELECTRICAL CONNECTION TO LOCAL/NATIONAL CODE IS THE RESPONSIBILITY OF THE ELECTRICAL CONTRACTOR. MORE THAN ONE POINT OF CONNECTION MAY BE REQUIRED. DISCONNECT SWITCHES, MAIN FUSES, AND MAIN POWER LEADS, ETC. ARE NOT PROVIDED BY MOHAWK RESOURCES LTD.  
 B. PNEUMATIC POWER IS THE RESPONSIBILITY OF THE MECHANICAL CONTRACTOR TO THE FINAL DESIGNATED POINT OR POINTS AT THE VEHICLE LIFT UNLESS OTHERWISE SPECIFIED BY ARCHITECT.

- 14. VEHICLE DATA FORMS:  
 PROVIDE INFORMATION ON ATTACHED VEHICLE DATA FORMS (OR PROVIDE SKETCH WITH DIMENSIONS OF VEHICLE IF THE FORM DOES NOT PROPERLY REFLECT VEHICLE TYPE) FOR VEHICLES INTENDED TO GO ON THIS LIFT. THIS IS TO ENSURE THAT VEHICLES WILL HAVE NO DIFFICULTY GETTING ON THE LIFT AND THAT THE LIFT WILL HAVE NO DIFFICULTY RAISING THE VEHICLES IN THE SPACE PROVIDED.  
 PROVIDE DETAILS ON ANY FEATURES OF VEHICLES THAT ARE OF CONCERN. TO NAME JUST A FEW, THIS WILL ASSIST IN REVIEWING UNDER-VEHICLE CLEARANCE OVER RAMPS, BUMPER CLEARANCE APPROACHING RAMPS, REAR END DRAG CLEARANCE OVER RAMPS, OVERHEAD CLEARANCE WHEN FULLY RAISED, WHEEL BASE LENGTH OVER TRACK LENGTH, ETC..

- 15. AFTER ALL SPECIFICATIONS HAVE BEEN SELECTED AND APPROVED BY CUSTOMER (SIGNED), MAKE COPY FOR CUSTOMER AND RETURN SIGNED FORM TO MOHAWK RESOURCES LTD., PO BOX 110, AMSTERDAM, NY 12010. FOR QUESTIONS, PLEASE CALL MOHAWK AT 1-800-833-2006 OR 518-842-1431 OR FAX MOHAWK AT 518-842-1289. ALL LIFT OPTIONS CHECKED FOR PURCHASE (SEE NOTE #5) MUST BE LISTED ON PURCHASE ORDER AS SEPARATE LINE ITEMS.

FL-25 (PG1)

FOR SO# \_\_\_\_\_

SCALE NONE	DRAWN R.V.	MOHAWK RESOURCES LTD.		
CHECKED RW	APPROVED	TITLE FL-25 CUST. DATA VERIFICATION		
DATE 3/96	WEIGHT N/A LB.	FROM N/A	DRAWING NUMBER ZZ233	

# TRUCK DATA FORM (DUAL AXLE REAR)

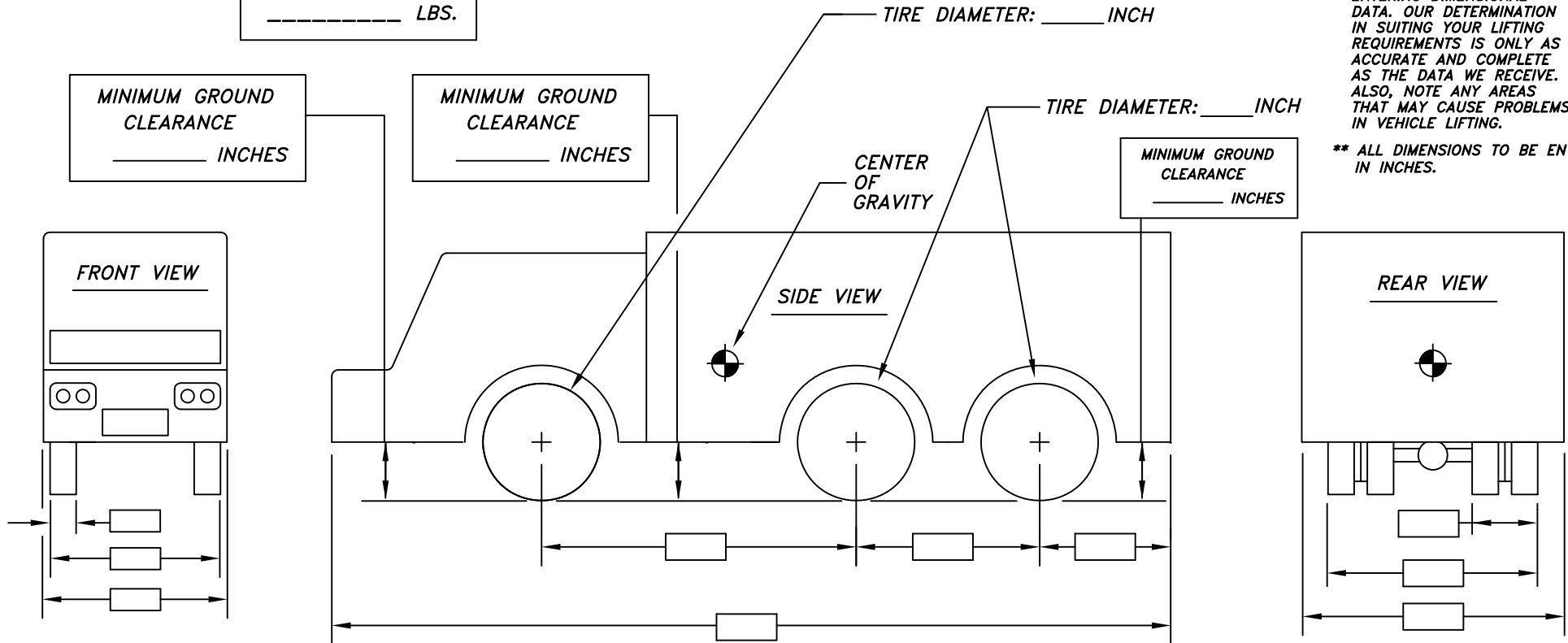
REV.	DESCRIPTION	DATE	BY	APP'D.
△				

VEHICLE WEIGHT:  
(NOT GVW)

\_\_\_\_\_ LBS.

\* PLEASE BE COMPLETE IN ENTERING DIMENSIONAL DATA. OUR DETERMINATION IN SUITING YOUR LIFTING REQUIREMENTS IS ONLY AS ACCURATE AND COMPLETE AS THE DATA WE RECEIVE. ALSO, NOTE ANY AREAS THAT MAY CAUSE PROBLEMS IN VEHICLE LIFTING.

\*\* ALL DIMENSIONS TO BE ENTERED IN INCHES.



B-SIZE

**NOTES:**

1. REMOVE ALL SHARP CORNERS & EDGES.
2. UNLESS OTHERWISE SPECIFIED, SURFACE FINISH TO BE 125 RMS.
3. WELDING MEDIUM SHALL CONFORM TO AWS SPECIFICATIONS TO E-70XX ELECTRODES OR E-70TI CODE 5.3 FLUX CORE WIRE ONLY.

**TOLERANCES:**

ANGULAR ± 1°  
 FRACTIONAL ± .030  
 DECIMAL:  
 0.XX ± .030  
 0.XXX ± .005

FILE NAME  
ZZ06

NEXT ASSEMBLY

SCALE

DRAWN  
R. V.

CHECKED

APPROVED

DATE  
1/95

WEIGHT  
LB.

**MOHAWK RESOURCES LTD.**

TITLE  
TRUCK DATA FORM (DUAL AXLE REAR)

FROM

DRAWING NUMBER  
ZZ06

