

MOHAWK MP-30 SERIES DATA SHEET:

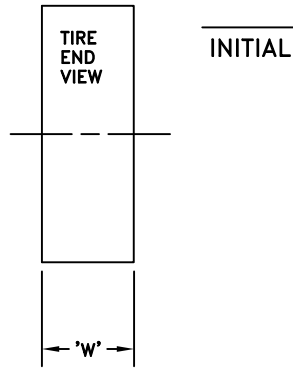
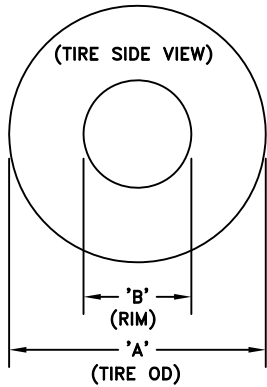
TIRE DIMENSIONS

ENTER DIMENSION FOR LARGEST AND SMALLEST TIRES:

	DIM. 'A'	DIM. 'B'	DIM. 'W'	TIRE SIZE
LARGEST				
SMALLEST				

1. SELECT LIFT MODEL BELOW:

CHECK QUANTITY OF POSTS:	POST NUMBER							
	1	2	3	4	5	6	7	8



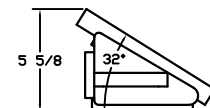
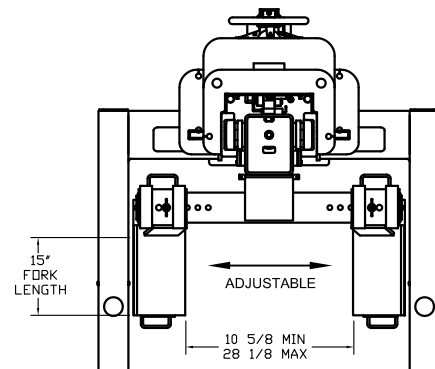
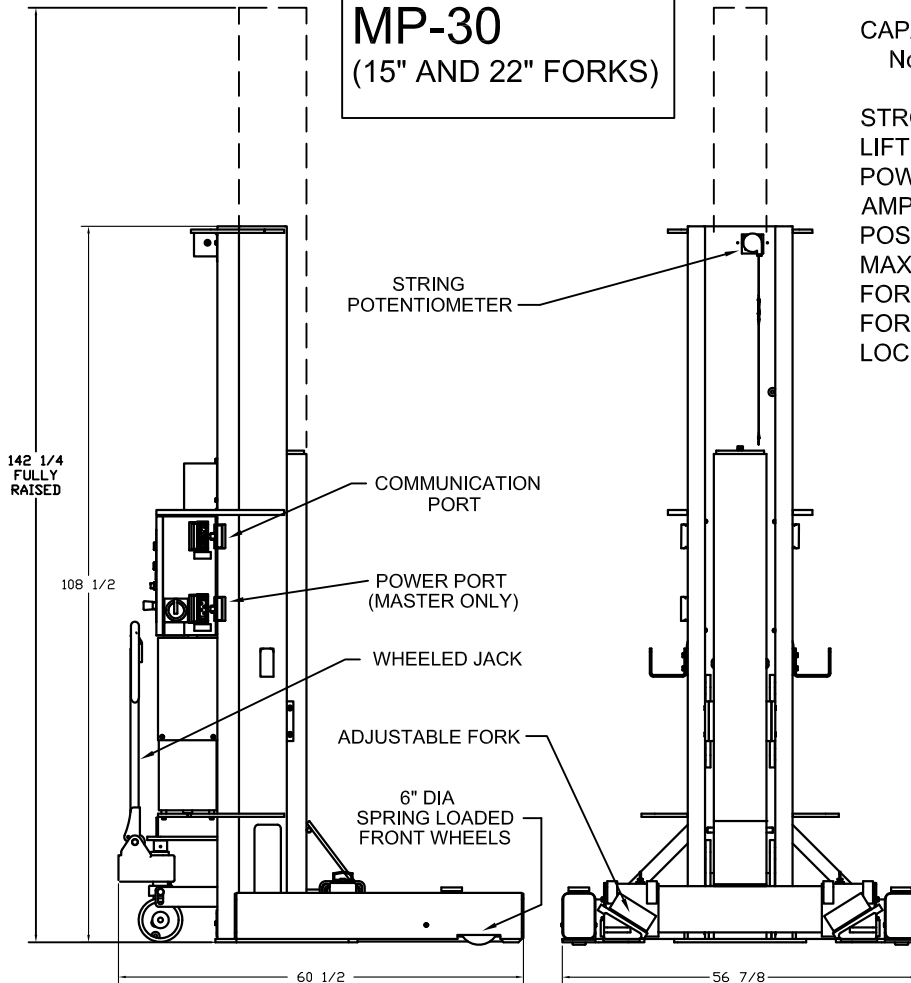
INITIAL

MP-30 SERIES POST SPECIFICATIONS:

CAPACITY: 30,000 LB EACH (with 15" Forks)
 Note: LIFT CAPACITY WITH 22" FORKS IS 22,000 LB

STROKE: 67 INCHES
 LIFTING SPEED: 155 SECONDS, APPROX
 POWER REQUIRED: 208 VAC, 3Ø STD
 AMPS: VARIABLE - SEE POST QTY
 POST QUANTITY: 2, 4, 6 OR 8
 MAX TIRE SIZE: 53 INCH DIA
 FORK LENGTH: 15 INCH OR 22 INCH
 FORK WIDTH: 10 5/8 INCH MIN, 28 1/8 MAX
 LOCK POSITIONS: 3" INTERVALS STARTING @ 12"

MP-30
 (15" AND 22" FORKS)



FORK
 DETAIL

REV.	DESCRIPTION	DATE	BY	APP'D.
	INITIALS REQUESTS ADDED	09/16	CHS	RV

CUSTOMER NAME: _____

CONTACT: _____

PHONE NUMBER: _____

1. WHAT DOES THE HEAVIEST VEHICLE WEIGH:

INITIAL _____

2. WHAT IS THE HEAVIEST SINGLE AXLE WEIGHT?
(I.E., FORK LIFT COUNTERWEIGHTS, REAR END MOUNTED ENGINES)

NOTE: THIS WEIGHT CAN NOT EXCEED THE CAPACITY OF THE PAIR OF MP COLUMNS SELECTED/SPECIFIED.

3. VERIFY POWER SUPPLY BELOW:
POWER SUPPLY: (CHECK ONE)

INITIAL _____

8. THIS DRAWING HAS BEEN REVIEWED AND FOUND TO BE ACCEPTABLE TO ALL CUSTOMER'S SPECIFICATIONS INDICATED:

INITIAL	POWER SUPPLY:	FULL LOAD AMPS PER POST *
	208-240 VAC, 3 PHASE, 60 HZ	10 AMP PER POST ← STANDARD
	440-480 VAC, 3 PHASE, 60 HZ	5 AMP PER POST
	550-600 VAC, 3 PHASE, 60 HZ	4 AMP PER POST
	208-240 VAC, 1 PHASE, 60 HZ	10 AMP PER POST
	OTHER:	

* RECOMMENDED CIRCUIT BREAKER SIZE IS 1.5 TO 2 TIMES THE SUM OF THE FULL LOAD AMPS FOR ALL THE POSTS IN THE SYSTEM.

MOHAWK REPRESENTATIVE _____ DATE _____

OWNER, GENERAL CONTRACTOR, SHOP/FLEET MANAGER, CUSTOMER AND/OR ARCHITECT. (FULL SIGNATURE) _____ DATE _____

9. FINAL ELECTRICAL CONNECTION TO LOCAL/NATIONAL CODE IS THE RESPONSIBILITY OF THE ELECTRICAL CONTRACTOR. MORE THAN ONE POINT OF CONNECTION MAY BE REQUIRED. DISCONNECT SWITCHES, MAIN FUSES, AND MAIN POWER LEADS, ETC, ARE NOT PROVIDED BY MOHAWK RESOURCES LTD.

4. DO VEHICLES HAVE LARGER DIAMETER TIRES REQUIRING WIDER POSTS? (CHECK ONE)

INITIAL _____

<input type="checkbox"/>	NO, USE STANDARD WIDTH FORKS ← STANDARD
<input type="checkbox"/>	YES, USE _____" WIDER FORKS

10. AFTER ALL SPECIFICATIONS HAVE BEEN SELECTED AND APPROVED BY CUSTOMER (SIGNED), MAKE COPY FOR CUSTOMER AND RETURN SIGNED FORM TO MOHAWK AT ADDRESS OR FAX BELOW.

5. OPTIONS INCLUDES: (CHECK ALL THAT APPLY) - (SEE NOTE*)

INITIAL _____

<input type="checkbox"/>	#JS-3047-20, JACK STAND, 20,000 LB, 30" TO 47"
<input type="checkbox"/>	#JS-4775-20, JACK STAND, 20,000 LB, 47" TO 77"
<input type="checkbox"/>	#JS-3047-30, JACK STAND, 30,000 LB, 30" TO 47"
<input type="checkbox"/>	#JS-4775-30, JACK STAND, 30,000 LB, 47" TO 77"
<input type="checkbox"/>	#JS-3047-40, JACK STAND, 40,000 LB, 30" TO 47"
<input type="checkbox"/>	#JS-4775-40, JACK STAND, 40,000 LB, 47" TO 77"
<input type="checkbox"/>	#TD-1000-M, TIRE DOLLY, 1000 LB CAPACITY, HAND WINCH
<input type="checkbox"/>	#TD-1000-H, TIRE DOLLY, 1000 LB CAPACITY, FOOT PUMP
<input type="checkbox"/>	#TD-1000-A, TIRE DOLLY, 1000 LB CAPACITY, AIR/HYD
<input type="checkbox"/>	ADDITIONAL POWER CABLE (ONE STANDARD 25' LG CABLE INCLUDED PER LIFT)
<input type="checkbox"/>	LONGER POWER CABLE ___' (ONE STANDARD 25' LG CABLE INCLUDED PER LIFT)
<input type="checkbox"/>	ADDITIONAL COMMUNICATION CABLE (ONE SET OF 30' LG CABLES INCLUDED PER LIFT)
<input type="checkbox"/>	LONGER COMMUNICATION CABLE ___' LG X ___ QTY
<input type="checkbox"/>	ADDITIONAL DUMMY PLUG SET (ONLY ONE SET INCLUDED PER LIFT)
<input type="checkbox"/>	HAND PENDANT CONTROL WITH 25' CORD (NON-ALCTV)
<input type="checkbox"/>	HAND PENDANT CONTROL (CL 1, DIV 2) WITH 25' CORD (ALCTV CERTIFIED)
<input type="checkbox"/>	SLOPE INDICATOR (SPECIFY QUANTITY OF COLUMNS)M
<input type="checkbox"/>	OTHER:

* NOTE: SOME OPTIONS ARE NOT COMPATIBLE, CONSULT MOHAWK.

11. ARE THESE COLUMNS BEING ADDED TO AN EXISTING SET OF MOBILE COLUMNS ?

YES NO

IF YES, PLEASE LIST MODEL NUMBERS AND SERIAL NUMBERS

MODEL #	SERIAL #

6. PROPOSED/REQUESTED DELIVERY DATE: ___/___/___

INITIAL _____

7. IS THIS FOR A CONSTRUCTION PROJECT: YES NO
IF NO, CAN THE LIFT SHIP AT ANYTIME? YES NO
IF YES, WHEN SHOULD MOHAWK VERIFY PRODUCTION TIME?

DATE: ___/___/___

CONTACT: _____

TEL: _____

ALL MP-24 AND MP-30 LIFTS SHIP ON LOW-DECK TRAILERS ASSEMBLED

INITIAL _____

MOHAWK MP-30-SERIES

FOR SO#: _____



MOHAWK RESOURCES LTD.
65 VROOMAN AVENUE
P.O. BOX 110
AMSTERDAM, NY 12010
PHN: 1-800-833-2006
FAX: 1-518-842-1289
www.mohawklifts.com

SCALE n/a	DRAWN RV	MOHAWK RESOURCES LTD.		
CHECKED	APPROVED	TITLE MP-30 Series Data Verification		
DATE 8/06	WEIGHT n/a LB.	FROM n/a	DRAWING NUMBER ZZ958-04	