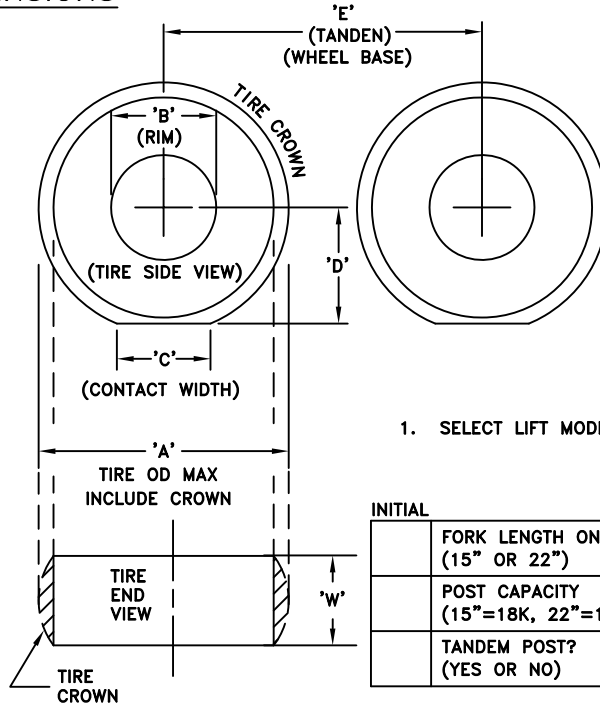


MOHAWK MP-18 TANDEM DATA SHEET:

TIRE DIMENSIONS

INITIAL

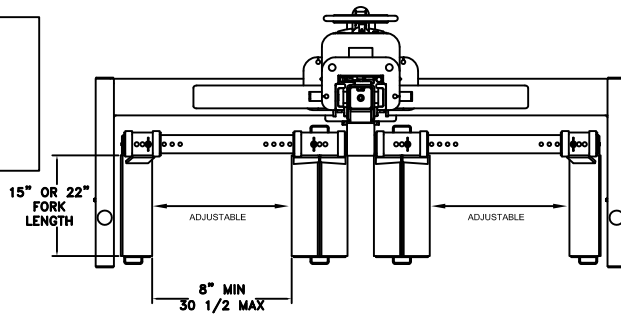
	LARGEST	SMALLEST
DIM. 'A'		
DIM. 'B'		
DIM. 'C'		
DIM. 'D'		
DIM. 'E'		
DIM. 'W'		
TIRE SIZE		



1. SELECT LIFT MODEL BELOW:

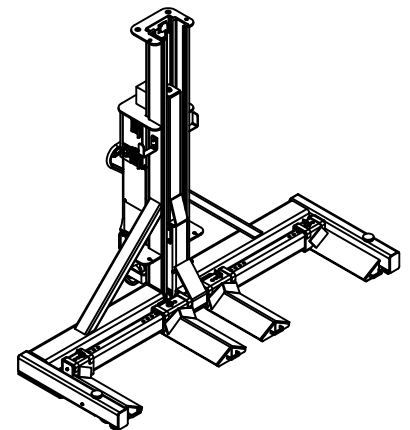
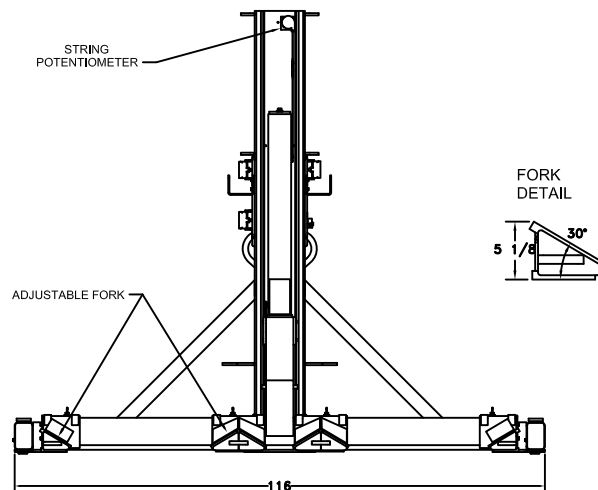
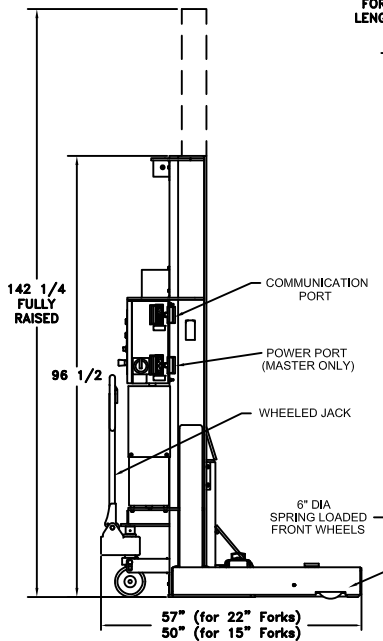
INITIAL		POST NUMBER								
		1	2	3	4	5	6	7	8	
	FORK LENGTH ON POST (15" OR 22")									
	POST CAPACITY (15"=18K, 22"=16K)									
	TANDEM POST? (YES OR NO)									

MP-18 TANDEM
(shown with
22" FORKS)



MP-18 TANDEM POST SPECIFICATIONS:

CAPACITY: 18,000 LB EACH (with 15" Forks)
 CAPACITY: 16,000 LB EACH (with 22" Forks)
 STROKE: 67 INCHES
 LIFTING SPEED: 67 SECONDS
 POWER REQUIRED: 208-220 VAC, 3Ø STD
 AMPS: VARIABLE - SEE POST QTY
 POST QUANTITY: 2, 4, 6 OR 8
 MAX TIRE SIZE: 53 INCH DIA
 FORK LENGTH: 15 or 22 INCH
 FORK WIDTH: 8 INCH MIN, 30 1/2 MAX
 LOCK POSITIONS: 3" INTERVALS STARTING @ 12"



REV.	DESCRIPTION	DATE	BY	APP'D.
	ADDED DIMENSIONS 'C' AND 'D' TO TIRE DIAGRAM	11/28/17	G.GORE	
CUSTOMER NAME:				
CONTACT:				
PHONE NUMBER:				

1. WHAT DOES THE HEAVIEST VEHICLE WEIGH:

INITIAL

2. WHAT IS THE HEAVIEST SINGLE AXLE WEIGHT?
(I.E., FORK LIFT COUNTERWEIGHTS, REAR END MOUNTED ENGINES)

NOTE: THIS WEIGHT CAN NOT EXCEED THE CAPACITY OF THE PAIR OF MP COLUMNS SELECTED/SPECIFIED.

INITIAL

3. VERIFY POWER SUPPLY BELOW:

POWER SUPPLY: (CHECK ONE)

INITIAL	POWER SUPPLY:	FULL LOAD AMPS PER POST *
	208-240 VAC, 3 PHASE, 60 HZ	10 AMP PER POST
	440-480 VAC, 3 PHASE, 60 HZ	5 AMP PER POST
	550-600 VAC, 3 PHASE, 60 HZ	4 AMP PER POST
	208-240 VAC, 1 PHASE, 60 HZ	10 AMP PER POST
	OTHER:	

← STANDARD

* RECOMMENDED CIRCUIT BREAKER SIZE IS 1.5 TO 2 TIMES THE SUM OF THE FULL LOAD AMPS FOR ALL THE POSTS IN THE SYSTEM.

4. DO VEHICLES HAVE LARGER DIAMETER TIRES REQUIRING WIDER POSTS?
(CHECK ONE)

<input type="checkbox"/>	NO, USE STANDARD WIDTH FORKS	← STANDARD
<input type="checkbox"/>	YES, USE _____" WIDER FORKS	

INITIAL

5. OPTIONS INCLUDES: (CHECK ALL THAT APPLY) - (SEE NOTE*)

INITIAL	
	#JS-3047-20, JACK STAND, 20,000 LB, 30" TO 47"
	#JS-4775-20, JACK STAND, 20,000 LB, 47" TO 77"
	#JS-3047-30, JACK STAND, 30,000 LB, 30" TO 47"
	#JS-4775-30, JACK STAND, 30,000 LB, 47" TO 77"
	#JS-3047-40, JACK STAND, 40,000 LB, 30" TO 47"
	#JS-4775-40, JACK STAND, 40,000 LB, 47" TO 77"
	#TD-1000-M, TIRE DOLLY, 1000 LB CAPACITY, HAND WINCH
	#TD-1000-H, TIRE DOLLY, 1000 LB CAPACITY, FOOT PUMP
	#TD-1000-A, TIRE DOLLY, 1000 LB CAPACITY, AIR/HYD
	CHASSIS CONTACT LIFTING BEAM (FOR 2 POSTS) - NOT TANDEM
	FORK TRUCK ADAPTER KIT (FOR 2 POSTS) - NOT TANDEM
	AUTO FRAME CONTACT ADAPTER KIT (FOR 2 POSTS) - NOT TANDEM
	WING PLOW ADAPTERS (FOR 2 POSTS) - NOT TANDEM
	HMMWV (FRONT TO REAR) ADAPTERS (FOR 2 POSTS) - NOT TANDEM
	ADDITIONAL POWER CABLE (ONE STANDARD 25' LG CABLE INCLUDED PER LIFT)
	LONGER POWER CABLE ___' (ONE STANDARD 25' LG CABLE INCLUDED PER LIFT)
	ADDITIONAL COMMUNICATION CABLE (ONE SET OF 30' LG CABLES INCLUDED PER LIFT)
	LONGER COMMUNICATION CABLE ___' LG X ___ QTY
	ADDITIONAL DUMMY PLUG SET (ONLY ONE SET INCLUDED PER LIFT)
	HAND PENDANT CONTROL WITH 25' CORD
	SLOPE INDICATOR (SPECIFY QUANTITY OF COLUMNS)
	OTHER:

* NOTE: SOME OPTIONS ARE NOT COMPATIBLE, CONSULT MOHAWK.

6. PROPOSED/REQUESTED DELIVERY DATE: ___/___/___

INITIAL

7. IS THIS FOR A CONSTRUCTION PROJECT: YES NO
IF NO, CAN THE LIFT SHIP AT ANYTIME? YES NO
IF YES, WHEN SHOULD MOHAWK VERIFY PRODUCTION TIME?

DATE: ___/___/___

CONTACT: _____

TEL: _____

INITIAL

8. THIS DRAWING HAS BEEN REVIEWED AND FOUND TO BE ACCEPTABLE TO ALL CUSTOMER'S SPECIFICATIONS INDICATED:

MOHAWK REPRESENTATIVE _____

DATE _____

OWNER, GENERAL CONTRACTOR,
SHOP/FLEET MANAGER
CUSTOMER AND/OR ARCHITECT.
(FULL SIGNATURE)

DATE _____

9. FINAL ELECTRICAL CONNECTION TO LOCAL/NATIONAL CODE IS THE RESPONSIBILITY OF THE ELECTRICAL CONTRACTOR. MORE THAN ONE POINT OF CONNECTION MAY BE REQUIRED. DISCONNECT SWITCHES, MAIN FUSES, AND MAIN POWER LEADS, ETC, ARE NOT PROVIDED BY MOHAWK RESOURCES LTD.

INITIAL

10. AFTER ALL SPECIFICATIONS HAVE BEEN SELECTED AND APPROVED BY CUSTOMER (SIGNED), MAKE COPY FOR CUSTOMER AND RETURN SIGNED FORM TO MOHAWK AT ADDRESS OR FAX BELOW.

INITIAL

11. ARE THESE COLUMNS BEING ADDED TO AN EXISTING SET OF MOBILE COLUMNS ?

YES NO

IF YES, PLEASE LIST MODEL NUMBERS AND SERIAL NUMBERS

MODEL #	SERIAL #

INITIAL



MOHAWK RESOURCES LTD.
65 VROOMAN AVENUE
P.O. BOX 110
AMSTERDAM, NY 12010
PHN: 1-800-833-2006
FAX: 1-518-842-1289
www.mohawklifts.com

MOHAWK MP-18-TANDEM

FOR SO#: _____

SCALE n/a	DRAWN RV	MOHAWK RESOURCES LTD.		
CHECKED	APPROVED	TITLE (TANDEM) MP-18 Series Data Verification		
DATE 11/05	WEIGHT n/a LB.	FROM n/a	DRAWING NUMBER ZZ958-02	