

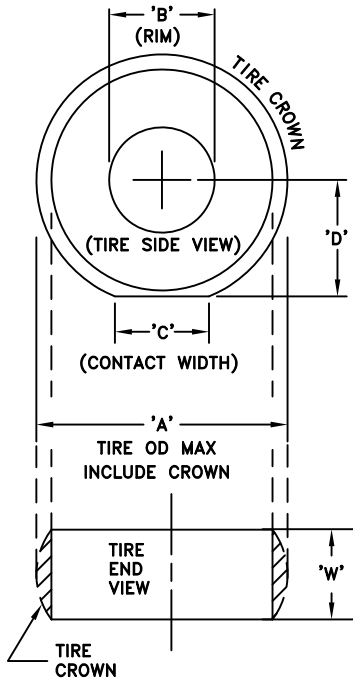
# MOHAWK MP-18 DC / BLACK & WHITE DISPLAY SCREEN 24 VOLT BATTERY OPERATED MOBILE LIFT / DATA SHEET:

## TIRE DIMENSIONS

INITIAL

ENTER DIMENSION FOR LARGEST AND SMALLEST TIRES:

	LARGEST	SMALLEST
DIM. 'A'		
DIM. 'B'		
DIM. 'C'		
DIM. 'D'		
DIM. 'W'		
TIRE SIZE		



1. SELECT LIFT MODEL BELOW:

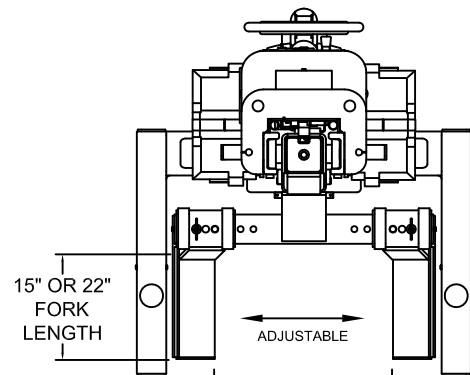
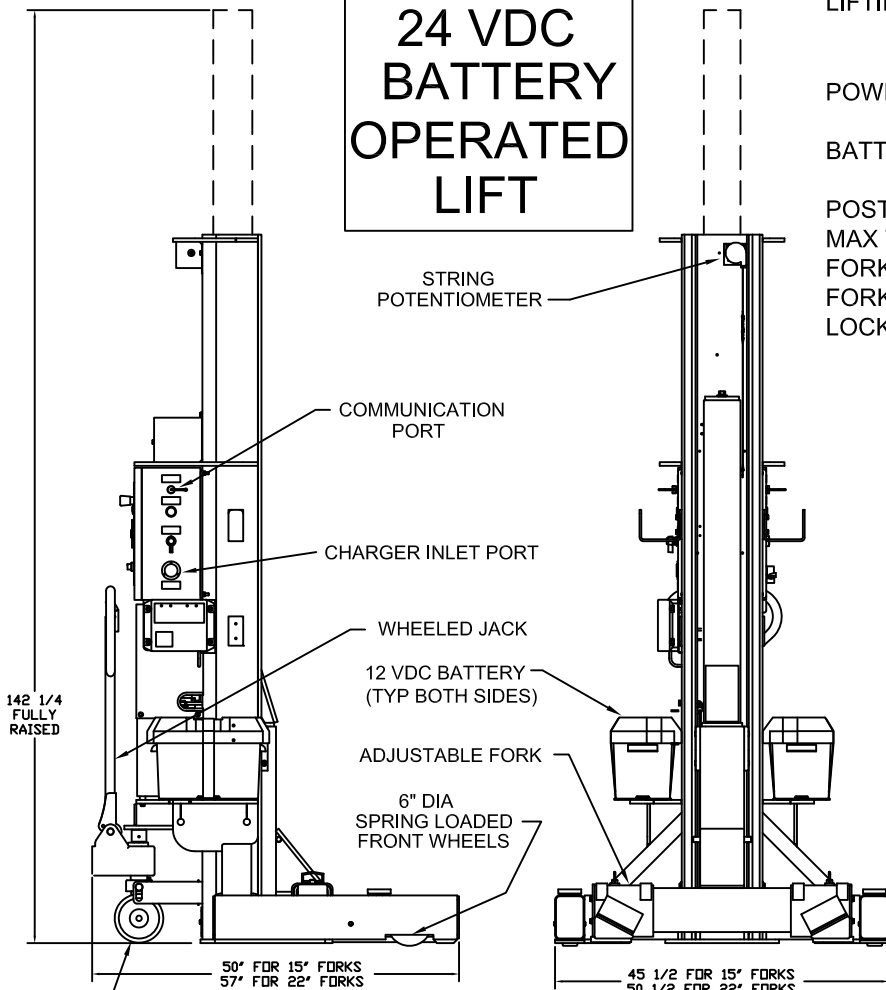
INITIAL

INITIAL	MODEL NAME	LIFT CAP (LBS)	FORK LENGTH ON POST										
			1	2	3	4	5	6	7	8			
	MP-18-505	36,000	15"	15"									
	MP-18-513	32,000	22"	22"									
	MP-18-506	72,000	15"	15"	15"	15"							
	MP-18-530	68,000	15"	15"	22"	22"							
	MP-18-514	64,000	22"	22"	22"	22"							
	MP-18-507	108,000	15"	15"	15"	15"	15"	15"					
	MP-18-558	104,000	15"	15"	15"	15"	22"	22"					
	MP-18-559	100,000	15"	15"	22"	22"	22"	22"					
	MP-18-515	96,000	22"	22"	22"	22"	22"	22"					
	MP-18-508	144,000	15"	15"	15"	15"	15"	15"	15"	15"			
	MP-18-560	140,000	15"	15"	15"	15"	15"	15"	15"	22"	22"		
	MP-18-561	136,000	15"	15"	15"	15"	22"	22"	22"	22"	22"		
	MP-18-562	132,000	15"	15"	22"	22"	22"	22"	22"	22"	22"	22"	
	MP-18-516	128,000	22"	22"	22"	22"	22"	22"	22"	22"	22"	22"	

## MP-18 (24 VDC) SERIES POST SPECIFICATIONS:

- CAPACITY: 18,000 LB EACH
- STROKE: 67 INCHES
- LIFTING SPEED: 45 SECONDS EMPTY, 144 SECONDS AT FULL LOAD CAPACITY . LIFT SPEED VARIES WITH WEIGHT.
- POWER REQUIRED: 120 VAC, 4 AMPS PER POST (FOR CHARGER)
- BATTERY SPEC: (2) 12 VDC DEEP CYCLE SEALED - MAINTENANCE FREE
- POST QUANTITY: 2, 4, 6 OR 8
- MAX TIRE SIZE: 48 INCH DIA (WIDER AVAILABLE)
- FORK LENGTH: 15 INCH OR 22 INCH
- FORK WIDTH: 11 1/2 INCH MIN, 24 1/4 MAX
- LOCK POSITIONS: 3" INTERVALS STARTING @ 12"

## 24 VDC BATTERY OPERATED LIFT



FOR 15" FORKS:  
11 1/2 MIN  
24 1/4 MAX  
FOR 22" FORKS:  
9 3/4 MIN  
27 1/2 MAX

## FORK DETAIL

D-SIZE

6 5/8 DIA

FOLD OR CUT HERE FOR FAXING

FOLD OR CUT HERE FOR FAXING

REV.	DESCRIPTION	DATE	BY	APP'D.
	ADDED DIMENSIONS 'C' AND 'D' TO TIRE DIAGRAM	11/27/17	G.GORE	
CUSTOMER NAME:				
CONTACT:				
PHONE NUMBER:				

1. WHAT DOES THE HEAVIEST VEHICLE WEIGH:

LBS

INITIAL \_\_\_\_\_

2. WHAT IS THE HEAVIEST SINGLE AXLE WEIGHT?

(I.E., FORK LIFT COUNTERWEIGHTS, REAR END MOUNTED ENGINES)

LBS

NOTE: THIS WEIGHT CAN NOT EXCEED THE CAPACITY OF THE PAIR OF MP COLUMNS SELECTED/SPECIFIED.

INITIAL \_\_\_\_\_

3. OPTIONS INCLUDES: (CHECK ALL THAT APPLY) - (SEE NOTE\*)

INITIAL \_\_\_\_\_

<input type="checkbox"/>	#JS-3047-20, JACK STAND, 20,000 LB, 30" TO 47"
<input type="checkbox"/>	#JS-4775-20, JACK STAND, 20,000 LB, 47" TO 77"
<input type="checkbox"/>	#JS-3047-30, JACK STAND, 30,000 LB, 30" TO 47"
<input type="checkbox"/>	#JS-4775-30, JACK STAND, 30,000 LB, 47" TO 77"
<input type="checkbox"/>	#JS-3047-40, JACK STAND, 40,000 LB, 30" TO 47"
<input type="checkbox"/>	#JS-4775-40, JACK STAND, 40,000 LB, 47" TO 77"
<input type="checkbox"/>	#TD-1000-M, TIRE DOLLY, 1000 LB CAPACITY, HAND WINCH
<input type="checkbox"/>	#TD-1000-H, TIRE DOLLY, 1000 LB CAPACITY, FOOT PUMP
<input type="checkbox"/>	#TD-1000-A, TIRE DOLLY, 1000 LB CAPACITY, AIR/HYD
<input type="checkbox"/>	CHASSIS CONTACT LIFTING BEAM (FOR 2 POSTS)
<input type="checkbox"/>	FORK TRUCK ADAPTER KIT (FOR 2 POSTS)
<input type="checkbox"/>	AUTO FRAME CONTACT ADAPTER KIT (FOR 2 POSTS) (NON-CERT)
<input type="checkbox"/>	WING PLOW ADAPTERS (FOR 2 POSTS)
<input type="checkbox"/>	FRONT TO REAR BUMPER ADAPTERS (FOR 2 POSTS)
<input type="checkbox"/>	ADDITIONAL COMMUNICATION CABLE (ONE SET OF 30' LG CABLES INCLUDED PER LIFT)
<input type="checkbox"/>	LONGER COMMUNICATION CABLE ___' LG X ___ QTY
<input type="checkbox"/>	ADDITIONAL DUMMY PLUG SET (ONLY ONE SET INCLUDED PER LIFT)
<input type="checkbox"/>	HAND PENDANT CONTROL WITH 25' CORD (NON-ALCTV)
<input type="checkbox"/>	HAND PENDANT CONTROL (CL I, DIV 2) WITH 25' CORD (ALCTV CERTIFIED)
<input type="checkbox"/>	WEIGHT GAUGE (SPECIFY QUANTITY OF COLUMNS)
<input type="checkbox"/>	SLOPE INDICATOR (SPECIFY QUANTITY OF COLUMNS)
<input type="checkbox"/>	COMMUNICATION CABLE REELS _____ QTY (3 NEEDED PER SET OF 4)
<input type="checkbox"/>	OTHER:

\* NOTE: SOME OPTIONS ARE NOT COMPATIBLE, CONSULT MOHAWK.

4. PROPOSED/REQUESTED DELIVERY DATE: \_\_\_/\_\_\_/\_\_\_

INITIAL \_\_\_\_\_

5. IS THIS FOR A CONSTRUCTION PROJECT:  YES  NO  
 IF NO, CAN THE LIFT SHIP AT ANYTIME?  YES  NO  
 IF YES, WHEN SHOULD MOHAWK VERIFY PRODUCTION TIME?

DATE: \_\_\_/\_\_\_/\_\_\_

CONTACT: \_\_\_\_\_

TEL: \_\_\_\_\_

INITIAL \_\_\_\_\_

6. THIS DRAWING HAS BEEN REVIEWED AND FOUND TO BE ACCEPTABLE TO ALL CUSTOMER'S SPECIFICATIONS INDICATED:

MOHAWK REPRESENTATIVE \_\_\_\_\_ DATE \_\_\_\_\_

OWNER, GENERAL CONTRACTOR, SHOP/FLEET MANAGER, CUSTOMER AND/OR ARCHITECT. (FULL SIGNATURE) \_\_\_\_\_ DATE \_\_\_\_\_

7. FINAL ELECTRICAL CONNECTION TO LOCAL/NATIONAL CODE IS THE RESPONSIBILITY OF THE ELECTRICAL CONTRACTOR. MORE THAN ONE POINT OF CONNECTION MAY BE REQUIRED. DISCONNECT SWITCHES, MAIN FUSES, AND MAIN POWER LEADS, ETC, ARE NOT PROVIDED BY MOHAWK RESOURCES LTD.

INITIAL \_\_\_\_\_

8. AFTER ALL SPECIFICATIONS HAVE BEEN SELECTED AND APPROVED BY CUSTOMER (SIGNED), MAKE COPY FOR CUSTOMER AND RETURN SIGNED FORM TO MOHAWK AT ADDRESS OR FAX BELOW.

INITIAL \_\_\_\_\_

9. ARE THESE COLUMNS BEING ADDED TO AN EXISTING SET OF MOBILE COLUMNS ?

YES  NO

INITIAL \_\_\_\_\_

IF YES, PLEASE LIST MODEL NUMBERS AND SERIAL NUMBERS

MODEL #	SERIAL #

INITIAL \_\_\_\_\_



MOHAWK RESOURCES LTD.  
 65 VROOMAN AVENUE  
 P.O. BOX 110  
 AMSTERDAM, NY 12010  
 PHN: 1-800-833-2006  
 FAX: 1-518-842-1289  
 www.mohawklifts.com

MOHAWK MP-18 DC  
 BLACK & WHITE DISPLAY SCREEN  
 24 VOLT BATTERY OPERATED  
 MOBILE LIFT DATA SHEET

FOR SO#: \_\_\_\_\_

SCALE n/a	DRAWN dak	MOHAWK RESOURCES LTD.		
CHECKED	APPROVED	TITLE MP-18 DC B&W Display Screen 24 Volt Battery Operated Mobile Lift		
DATE 6/07	WEIGHT n/a	LB.	FROM n/a	DRAWING NUMBER ZZ958-01-DC