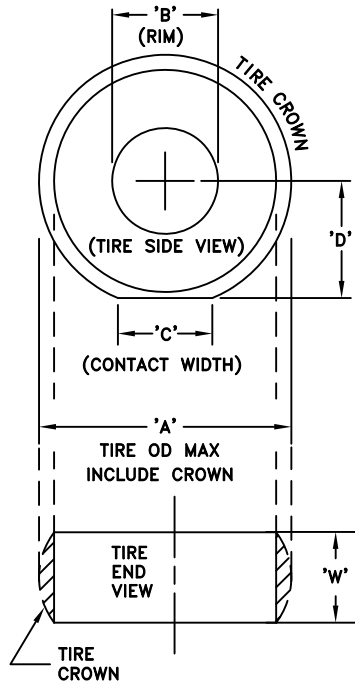


MOHAWK MP-18 DC / TOUCHSCREEN & FULL DIAGNOSTIC DISPLAY 24 VOLT BATTERY OPERATED MOBILE LIFT DATA SHEET:

TIRE DIMENSIONS

INITIAL

	LARGEST	SMALLEST
DIM. 'A'		
DIM. 'B'		
DIM. 'C'		
DIM. 'D'		
DIM. 'W'		
TIRE SIZE		



ENTER DIMENSION FOR LARGEST AND SMALLEST TIRES:

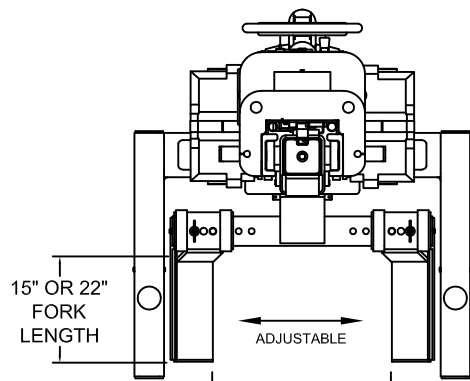
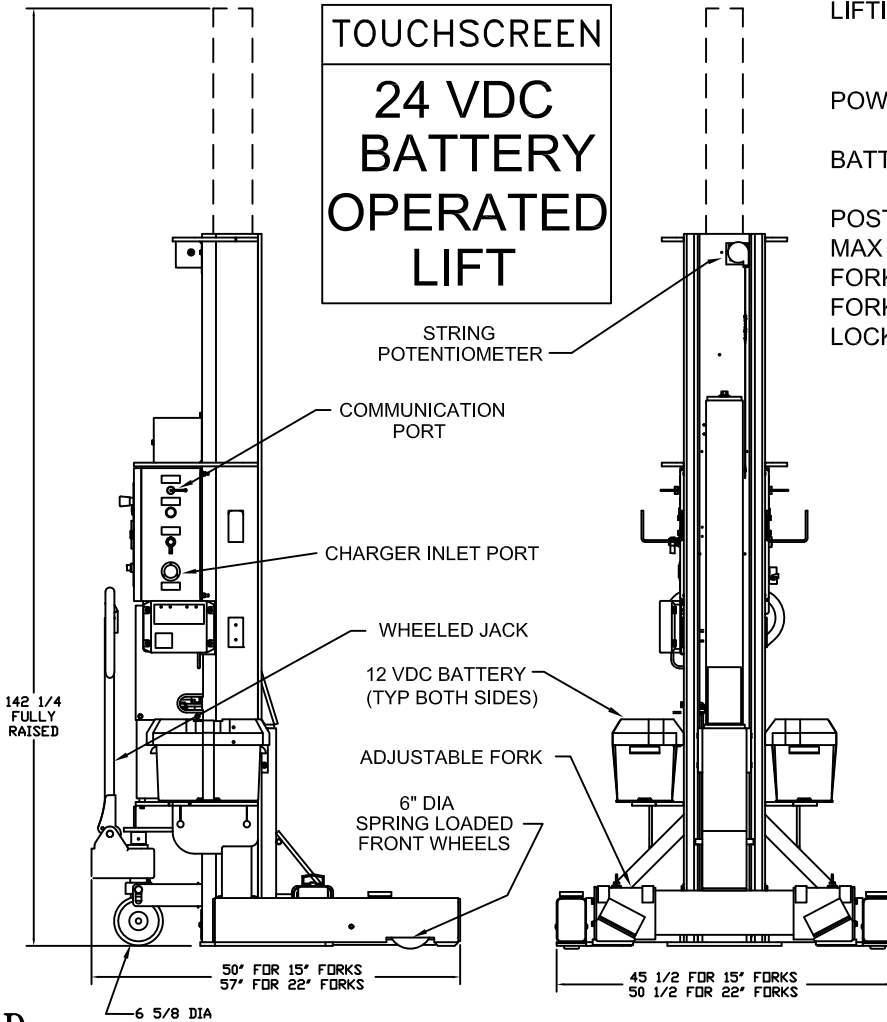
1. SELECT LIFT MODEL BELOW: INITIAL

INITIAL	MODEL NAME	LIFT CAP (LBS)	FORK LENGTH ON POST										
			1	2	3	4	5	6	7	8			
	MP-18-605	36,000	15"	15"									
	MP-18-613	32,000	22"	22"									
	MP-18-606	72,000	15"	15"	15"	15"							
	MP-18-630	68,000	15"	15"	22"	22"							
	MP-18-614	64,000	22"	22"	22"	22"							
	MP-18-607	108,000	15"	15"	15"	15"	15"	15"	15"				
	MP-18-658	104,000	15"	15"	15"	15"	22"	22"					
	MP-18-659	100,000	15"	15"	22"	22"	22"	22"					
	MP-18-615	96,000	22"	22"	22"	22"	22"	22"					
	MP-18-608	144,000	15"	15"	15"	15"	15"	15"	15"	15"	15"	15"	15"
	MP-18-660	140,000	15"	15"	15"	15"	15"	15"	15"	22"	22"		
	MP-18-661	136,000	15"	15"	15"	15"	22"	22"	22"	22"	22"		
	MP-18-662	132,000	15"	15"	22"	22"	22"	22"	22"	22"	22"	22"	22"
	MP-18-616	128,000	22"	22"	22"	22"	22"	22"	22"	22"	22"	22"	22"

MP-18 (24 VDC) SERIES POST SPECIFICATIONS:

- CAPACITY: 18,000 LB EACH
- STROKE: 67 INCHES
- LIFTING SPEED: 45 SECONDS EMPTY, 144 SECONDS AT FULL LOAD CAPACITY . LIFT SPEED VARIES WITH WEIGHT.
- POWER REQUIRED: 120 VAC, 4 AMPS PER POST (FOR CHARGER)
- BATTERY SPEC: (2) 12 VDC DEEP CYCLE SEALED - MAINTENANCE FREE
- POST QUANTITY: 2, 4, 6 OR 8
- MAX TIRE SIZE: 48 INCH DIA
- FORK LENGTH: 15 INCH OR 22 INCH
- FORK WIDTH: 11 1/2 INCH MIN, 24 1/4 MAX
- LOCK POSITIONS: 3" INTERVALS STARTING @ 12"

**TOUCHSCREEN
24 VDC
BATTERY
OPERATED
LIFT**



FORK DETAIL
FOR 15" FORKS:
11 1/2 MIN
24 1/4 MAX
FOR 22" FORKS:
9 3/4 MIN
27 1/2 MAX

D-SIZE

FOLD OR CUT HERE FOR FAXING

FOLD OR CUT HERE FOR FAXING

REV.	DESCRIPTION	DATE	BY	APP'D.
△ C	ADDED DIMENSIONS 'C' AND 'D' TO TIRE DIAGRAM	11/27/17	G.GORE	
CUSTOMER NAME:				
CONTACT:				
PHONE NUMBER:				

1. WHAT DOES THE HEAVIEST VEHICLE WEIGH:

LBS

INITIAL

2. WHAT IS THE HEAVIEST SINGLE AXLE WEIGHT?

(I.E., FORK LIFT COUNTERWEIGHTS, REAR END MOUNTED ENGINES)

LBS

NOTE: THIS WEIGHT CAN NOT EXCEED THE CAPACITY OF THE PAIR OF MP COLUMNS SELECTED/SPECIFIED.

INITIAL

7. FINAL ELECTRICAL CONNECTION TO LOCAL/NATIONAL CODE IS THE RESPONSIBILITY OF THE ELECTRICAL CONTRACTOR. MORE THAN ONE POINT OF CONNECTION MAY BE REQUIRED. DISCONNECT SWITCHES, MAIN FUSES, AND MAIN POWER LEADS, ETC, ARE NOT PROVIDED BY MOHAWK RESOURCES LTD.

3. OPTIONS INCLUDES: (CHECK ALL THAT APPLY) - (SEE NOTE*)

INITIAL INITIAL

<input type="checkbox"/>	#JS-3047-20, JACK STAND, 20,000 LB, 30" TO 47"
<input type="checkbox"/>	#JS-4775-20, JACK STAND, 20,000 LB, 47" TO 77"
<input type="checkbox"/>	#JS-3047-30, JACK STAND, 30,000 LB, 30" TO 47"
<input type="checkbox"/>	#JS-4775-30, JACK STAND, 30,000 LB, 47" TO 77"
<input type="checkbox"/>	#JS-3047-40, JACK STAND, 40,000 LB, 30" TO 47"
<input type="checkbox"/>	#JS-4775-40, JACK STAND, 40,000 LB, 47" TO 77"
<input type="checkbox"/>	#TD-1000-M, TIRE DOLLY, 1000 LB CAPACITY, HAND WINCH
<input type="checkbox"/>	#TD-1000-H, TIRE DOLLY, 1000 LB CAPACITY, FOOT PUMP
<input type="checkbox"/>	#TD-1000-A, TIRE DOLLY, 1000 LB CAPACITY, AIR/HYD
<input type="checkbox"/>	CHASSIS CONTACT LIFTING BEAM (FOR 2 POSTS)
<input type="checkbox"/>	FORK TRUCK ADAPTER KIT (FOR 2 POSTS)
<input type="checkbox"/>	AUTO FRAME CONTACT ADAPTER KIT (FOR 2 POSTS) (NON-CERT)
<input type="checkbox"/>	WING PLOW ADAPTERS (FOR 2 POSTS)
<input type="checkbox"/>	FRONT TO REAR BUMPER ADAPTERS (FOR 2 POSTS)
<input type="checkbox"/>	ADDITIONAL COMMUNICATION CABLE (ONE SET OF 30' LG CABLES INCLUDED PER LIFT)
<input type="checkbox"/>	LONGER COMMUNICATION CABLE ___' LG X ___ QTY
<input type="checkbox"/>	ADDITIONAL DUMMY PLUG SET (ONLY ONE SET INCLUDED PER LIFT)
<input type="checkbox"/>	HAND PENDANT CONTROL WITH 25' CORD (NON-ALCTV)
<input type="checkbox"/>	HAND PENDANT CONTROL (CL I, DIV 2) WITH 25' CORD (ALCTV CERTIFIED)
<input type="checkbox"/>	SLOPE INDICATOR (SPECIFY QUANTITY OF COLUMNS)
<input type="checkbox"/>	COMMUNICATION CABLE REELS _____ QTY (3 NEEDED PER SET OF 4)
<input type="checkbox"/>	OTHER:

8. AFTER ALL SPECIFICATIONS HAVE BEEN SELECTED AND APPROVED BY CUSTOMER (SIGNED), MAKE COPY FOR CUSTOMER AND RETURN SIGNED FORM TO MOHAWK AT ADDRESS OR FAX BELOW.

INITIAL

9. ARE THESE COLUMNS BEING ADDED TO AN EXISTING SET OF MOBILE COLUMNS ?

YES NO

IF YES, PLEASE LIST MODEL NUMBERS AND SERIAL NUMBERS

MODEL #	SERIAL #

INITIAL

* NOTE: SOME OPTIONS ARE NOT COMPATIBLE, CONSULT MOHAWK.

4. PROPOSED/REQUESTED DELIVERY DATE: ___/___/___

INITIAL

5. IS THIS FOR A CONSTRUCTION PROJECT: YES NO
 IF NO, CAN THE LIFT SHIP AT ANYTIME? YES NO
 IF YES, WHEN SHOULD MOHAWK VERIFY PRODUCTION TIME?

DATE: ___/___/___

CONTACT: _____

TEL: _____

INITIAL

6. THIS DRAWING HAS BEEN REVIEWED AND FOUND TO BE ACCEPTABLE TO ALL CUSTOMER'S SPECIFICATIONS INDICATED:

MOHAWK REPRESENTATIVE DATE

OWNER, GENERAL CONTRACTOR, SHOP/FLEET MANAGER
CUSTOMER AND/OR ARCHITECT.
(FULL SIGNATURE) DATE



MOHAWK RESOURCES LTD.
65 VROOMAN AVENUE
P.O. BOX 110
AMSTERDAM, NY 12010
PHN: 1-800-833-2006
FAX: 1-518-842-1289
www.mohawklifts.com

MOHAWK MP-18 DC TOUCHSCREEN & FULL DIAGNOSTIC DISPLAY 24 VOLT BATTERY OPERATED MOBILE LIFT DATA SHEET

FOR SO#: _____

SCALE n/a	DRAWN G.GORE	MOHAWK RESOURCES LTD.		
CHECKED	APPROVED	TITLE Mohawk MP-18 DC TOUCHSCREEN 24V Battery Operated Mobile Lift		
DATE 05/14	WEIGHT n/a LB.	FROM n/a	DRAWING NUMBER ZZ958-05-DC	△ C