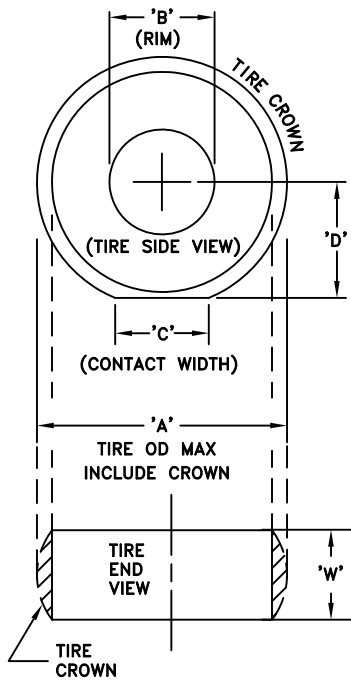


MOHAWK MP-18 AC MOBILE LIFT DATA SHEET:

TIRE DIMENSIONS

ENTER DIMENSION FOR LARGEST AND SMALLEST TIRES:

INITIAL	LARGEST	SMALLEST
DIM. 'A'		
DIM. 'B'		
DIM. 'C'		
DIM. 'D'		
DIM. 'W'		
TIRE SIZE		



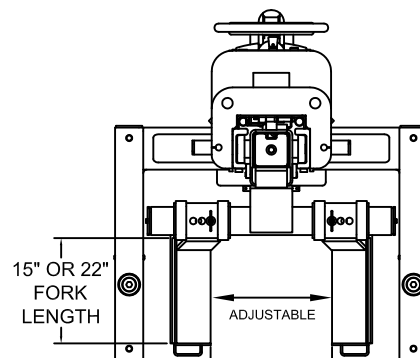
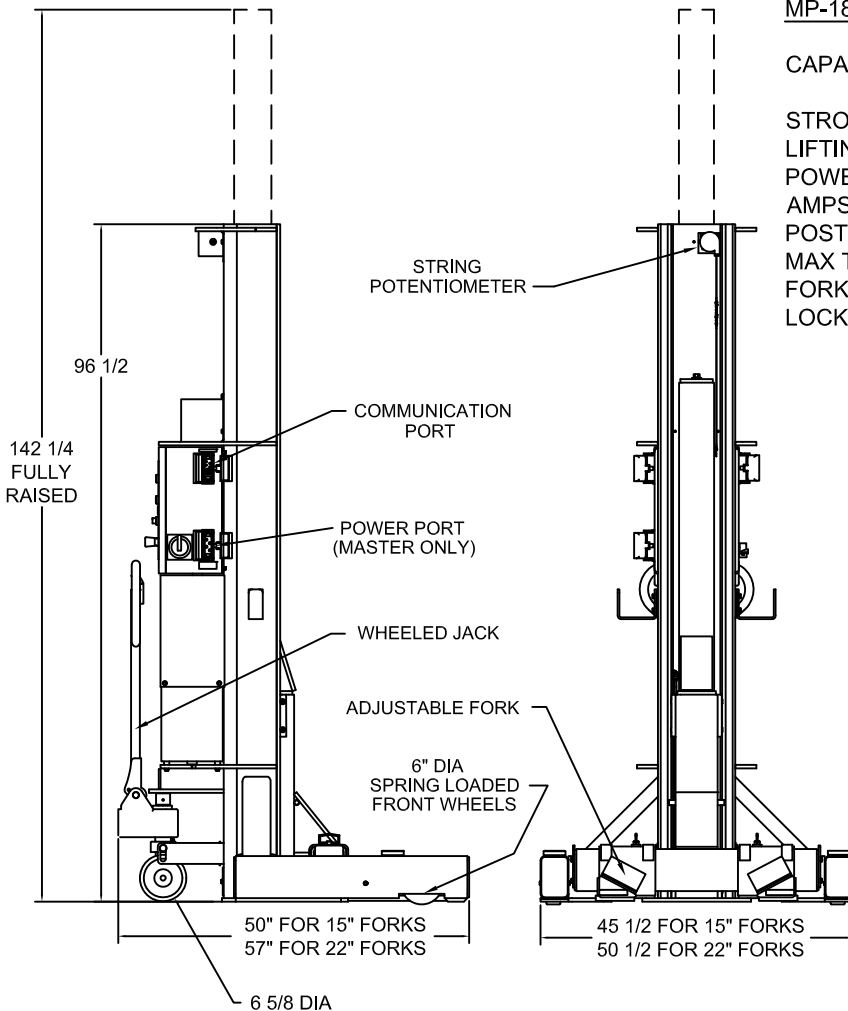
INITIAL

1. SELECT LIFT MODEL BELOW:

INITIAL	MODEL NAME	LIFT CAP (LBS)	FORK LENGTH ON POST										
			1	2	3	4	5	6	7	8			
	MP-18-005	36,000	15"	15"									
	MP-18-013	32,000	22"	22"									
	MP-18-006	72,000	15"	15"	15"	15"							
	MP-18-030	68,000	15"	15"	22"	22"							
	MP-18-014	64,000	22"	22"	22"	22"							
	MP-18-007	108,000	15"	15"	15"	15"	15"	15"					
	MP-18-058	104,000	15"	15"	15"	15"	22"	22"					
	MP-18-059	100,000	15"	15"	22"	22"	22"	22"					
	MP-18-015	96,000	22"	22"	22"	22"	22"	22"					
	MP-18-008	144,000	15"	15"	15"	15"	15"	15"	15"	15"	15"	15"	15"
	MP-18-060	140,000	15"	15"	15"	15"	15"	15"	15"	22"	22"	22"	22"
	MP-18-061	136,000	15"	15"	15"	15"	22"	22"	22"	22"	22"	22"	22"
	MP-18-062	132,000	15"	15"	22"	22"	22"	22"	22"	22"	22"	22"	22"
	MP-18-016	128,000	22"	22"	22"	22"	22"	22"	22"	22"	22"	22"	22"

MP-18 SERIES POST SPECIFICATIONS:

- CAPACITY: 18,000 LB PER POST (15" FORKS)
16,000 LB PER POST (22" FORKS)
- STROKE: 67 INCHES
- LIFTING SPEED: 67 SECONDS
- POWER REQUIRED: 208-240 VAC, 3Ø STD
- AMPS: VARIABLE - SEE POST QTY
- POST QUANTITY: 2, 4, 6 OR 8
- MAX TIRE SIZE: 48 INCH DIA (WIDER AVAILABLE)
- FORK LENGTH: 15 INCH OR 22 INCH
- LOCK POSITIONS: 3" INTERVALS STARTING @ 12"



FOR 15" FORKS:
11 1/2 MIN
24 1/4 MAX
FOR 22" FORKS:
9 3/4 MIN
27 1/2 MAX

REV.	DESCRIPTION	DATE	BY	APP'D.
	ADDED DIMENSIONS 'C' AND 'D' TO TIRE DIAGRAM	11/21/17	G.GORE	
CUSTOMER NAME:				
CONTACT:				
PHONE NUMBER:				

1. WHAT DOES THE HEAVIEST VEHICLE WEIGH:

INITIAL

2. WHAT IS THE HEAVIEST SINGLE AXLE WEIGHT?

(I.E., FORK LIFT COUNTERWEIGHTS, REAR END MOUNTED ENGINES)

NOTE: THIS WEIGHT CAN NOT EXCEED THE CAPACITY OF THE PAIR OF MP COLUMNS SELECTED/SPECIFIED.

3. VERIFY POWER SUPPLY BELOW:

INITIAL

POWER SUPPLY: (CHECK ONE)

7. THIS DRAWING HAS BEEN REVIEWED AND FOUND TO BE ACCEPTABLE TO ALL CUSTOMER'S SPECIFICATIONS INDICATED:

MOHAWK REPRESENTATIVE _____ DATE _____

OWNER, GENERAL CONTRACTOR, SHOP/FLEET MANAGER, CUSTOMER AND/OR ARCHITECT. (FULL SIGNATURE) _____ DATE _____

8. FINAL ELECTRICAL CONNECTION TO LOCAL/NATIONAL CODE IS THE RESPONSIBILITY OF THE ELECTRICAL CONTRACTOR. MORE THAN ONE POINT OF CONNECTION MAY BE REQUIRED. DISCONNECT SWITCHES, MAIN FUSES, AND MAIN POWER LEADS, ETC, ARE NOT PROVIDED BY MOHAWK RESOURCES LTD.

INITIAL	POWER SUPPLY:	FULL LOAD AMPS PER POST *
	208-240 VAC, 3 PHASE, 60 HZ	10 AMP PER POST ← STANDARD
	440-480 VAC, 3 PHASE, 60 HZ	5 AMP PER POST
	550-600 VAC, 3 PHASE, 60 HZ	4 AMP PER POST
	208-240 VAC, 1 PHASE, 60 HZ	10 AMP PER POST
	OTHER:	

* RECOMMENDED CIRCUIT BREAKER SIZE IS 1.5 TO 2 TIMES THE SUM OF THE FULL LOAD AMPS FOR ALL THE POSTS IN THE SYSTEM.

4. OPTIONS INCLUDES: (CHECK ALL THAT APPLY) - (SEE NOTE*)

INITIAL	
	#JS-3047-20, JACK STAND, 20,000 LB, 30" TO 47"
	#JS-4775-20, JACK STAND, 20,000 LB, 47" TO 77"
	#JS-3047-30, JACK STAND, 30,000 LB, 30" TO 47"
	#JS-4775-30, JACK STAND, 30,000 LB, 47" TO 77"
	#JS-3047-40, JACK STAND, 40,000 LB, 30" TO 47"
	#JS-4775-40, JACK STAND, 40,000 LB, 47" TO 77"
	#TD-1000-M, TIRE DOLLY, 1000 LB CAPACITY, HAND WINCH
	#TD-1000-H, TIRE DOLLY, 1000 LB CAPACITY, FOOT PUMP
	#TD-1000-A, TIRE DOLLY, 1000 LB CAPACITY, AIR/HYD
	CHASSIS CONTACT LIFTING BEAM (FOR 2 POSTS)
	FORK TRUCK ADAPTER KIT (FOR 2 POSTS)
	AUTO FRAME CONTACT ADAPTER KIT (FOR 2 POSTS) (NON-CERT)
	WING PLOW ADAPTERS (FOR 2 POSTS)
	FRONT TO REAR BUMPER ADAPTERS (FOR 2 POSTS)
	ADDITIONAL POWER CABLE (ONE STANDARD 25' LG CABLE INCLUDED PER LIFT)
	LONGER POWER CABLE ___' (ONE STANDARD 25' LG CABLE INCLUDED PER LIFT)
	ADDITIONAL COMMUNICATION CABLE (ONE SET OF 30' LG CABLES INCLUDED PER LIFT)
	LONGER COMMUNICATION CABLE ___' LG X ___ QTY
	ADDITIONAL DUMMY PLUG SET (ONLY ONE SET INCLUDED PER LIFT)
	HAND PENDANT CONTROL WITH 25' CORD (NON-ALCTV)
	HAND PENDANT CONTROL (CL 1, DIV 2) WITH 25' CORD (ALCTV CERTIFIED)
	WEIGHT GAUGE (SPECIFY NUMBER OF COLUMNS)
	SLOPE INDICATOR (SPECIFY NUMBER OF COLUMNS)
	OTHER:

9. AFTER ALL SPECIFICATIONS HAVE BEEN SELECTED AND APPROVED BY CUSTOMER (SIGNED), MAKE COPY FOR CUSTOMER AND RETURN SIGNED FORM TO MOHAWK AT ADDRESS OR FAX BELOW.

INITIAL

10. ARE THESE COLUMNS BEING ADDED TO AN EXISTING SET OF MOBILE COLUMNS ?

YES ___ NO ___

INITIAL

IF YES, PLEASE LIST MODEL NUMBERS AND SERIAL NUMBERS

INITIAL

MODEL #	SERIAL #

INITIAL



MOHAWK RESOURCES LTD.
65 VROOMAN AVENUE
P.O. BOX 110
AMSTERDAM, NY 12010
PHN: 1-800-833-2006
FAX: 1-518-842-1289
www.mohawklifts.com

MOHAWK MP-18 AC
MOBILE LIFT DATA SHEET

FOR SO#: _____

5. PROPOSED/REQUESTED DELIVERY DATE: ___/___/___ INITIAL

6. IS THIS FOR A CONSTRUCTION PROJECT: YES NO
IF NO, CAN THE LIFT SHIP AT ANYTIME? YES NO
IF YES, WHEN SHOULD MOHAWK VERIFY PRODUCTION TIME?

DATE: ___/___/___

CONTACT: _____

TEL: _____

SCALE n/a	DRAWN RV	MOHAWK RESOURCES LTD.	
CHECKED	APPROVED	TITLE MOHAWK MP-18 AC MOBILE LIFT DATA SHEET	
DATE 11/05	WEIGHT n/a LB.	FROM n/a	DRAWING NUMBER ZZ958-01